

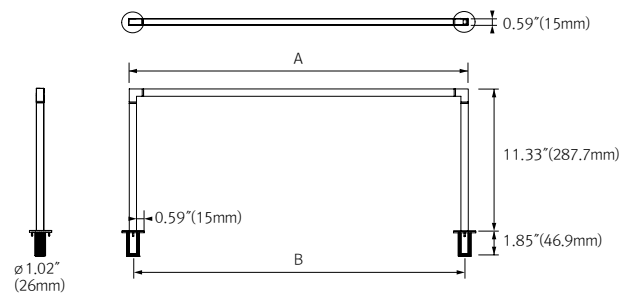
DATE	PROJECT	LOCATION	TYPE
------	---------	----------	------



## PRODUCT FEATURES

- For Use with Monorail Pro
- Sleek aluminum body with rotating top bar
- Easy assembly with MonoRail Pro(MNP) and Spot(MRS1, 3)
- Various length available
- Ideal for showcase , exhibit, museum design, picture
- Dim0-10

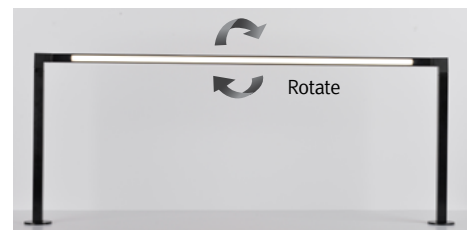
## DIMENSIONS



※ Attachable lighting fixture option for showcase arm kit

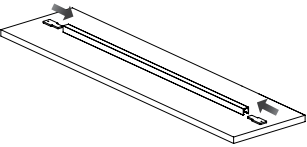
Available with	Lamp Power	Luminous Flux (4000K)	Beam Angle
MRS1 (color)K-24V-BK	1W	95 lm	15°, 35°
MRS3 (color)K-24V-BK	2.5W	246 lm	24°, 45°, 60°
MNP1 (color)K-24V-BK	1W	113 lm	-
MNP4 (color)K-24V-BK	4W	362 lm	
MNP8 (color)K-24V-BK	8W	722 lm	

A (Top Length)	B (Recommended Distance for Mounting Holes)
15.6"(396.5mm)	15"(381mm)
26.6"(676.5mm)	26"(661mm)
37.6"(955.5mm)	37"(940mm)
48.6"(1234.5mm)	48"(1219mm)



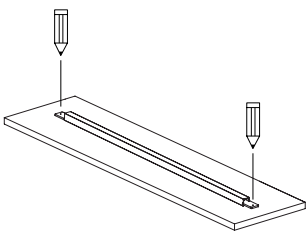
## INSTALLATION

**Step.1**



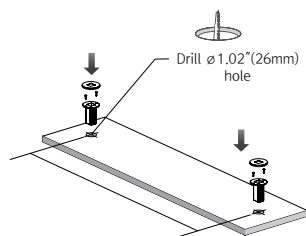
1. Place the Top Bar onto the deck.
2. Insert the hole guides into both ends of Top Bar.

**Step.2**



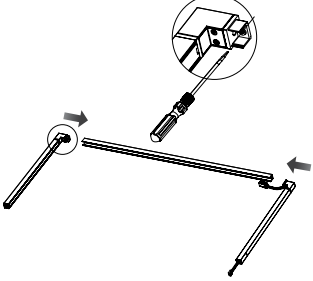
1. Mark the hole to determine the location to drill.

**Step.3**



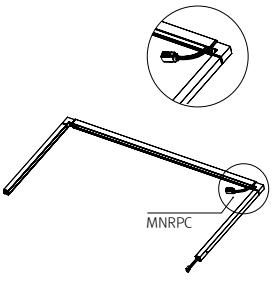
1. Drill  $\varnothing 26\text{mm}$  holes to insert Mounting Base.
2. Fix Mounting Base with screws and attach Mounting Base Cover on top.

**Step.4**



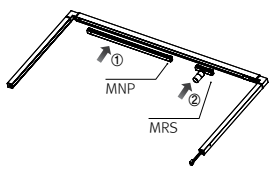
1. Connect Top Bar with Side Pole and Power Pole on each side.
2. Tighten the screw on both Side Pole and Power Pole for assembly stability.

**Step.5**



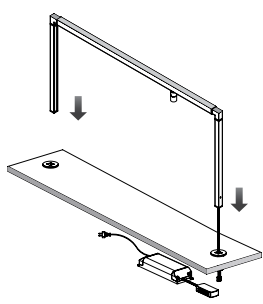
1. Attach the MNRPC clip on the power supply track inside the Top bar.

**Step.6**



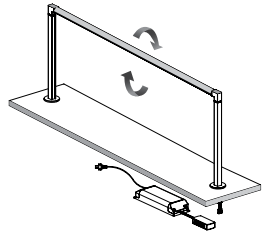
1. Mount MonoRail fixtures (MNP or MRS) on Top Bar.

**Step.7**



1. Insert Side Pole and Power Pole onto Mounting Base Cover.
2. Connect power cord from Power Pole to FLC30/FLC75 LED driver.

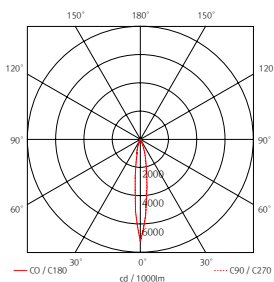
**Step.8**



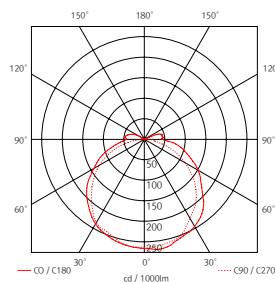
1. Rotate Top Bar to desired position and check MonoRail Lighting fixtures are on and functioning properly

## BEAM SPREADS

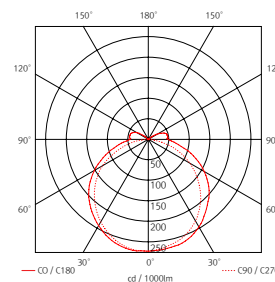
MRS1 40K-24V-C90  
95 lm, 74 lm/W



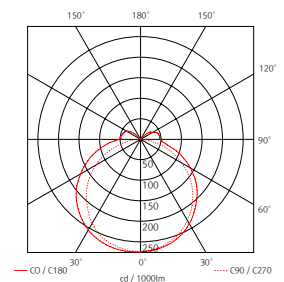
MNP1 40K-24V-C90  
103.5 lm, 70.7 lm/W



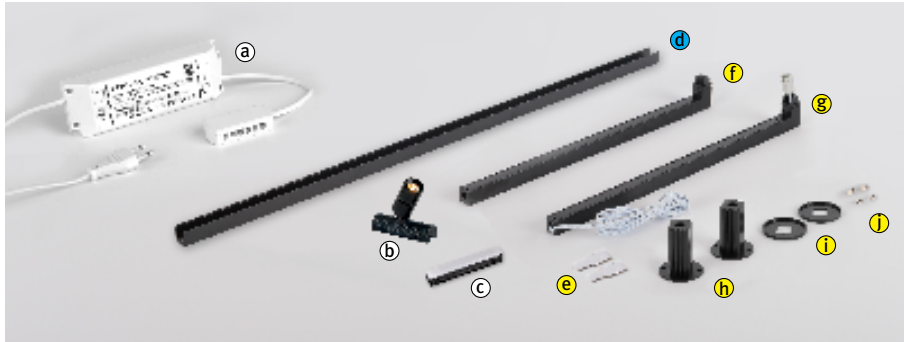
MNP4 40k-24V-C90  
315.3 lm, 72.99 lm/W



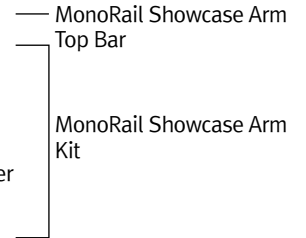
MNP8 40K-24V-C90  
609.9 lm, 70.98 lm/W



## Required Accessories



- Ⓐ LED Driver
- Ⓑ MonoRail Spot
- Ⓒ MonoRail Pro
- Ⓓ Top Bar
- Ⓔ Hole guide
- Ⓕ Side Pole
- Ⓖ Power Pole
- Ⓗ Mounting Base
- Ⓘ Mounting Base Cover
- ⓷ Screw



\* Item Ⓐ Ⓑ Ⓒ are sold separately

## COMPONENTS



### MonoRail Showcase Arm

\_\_ MNR-SA-Kit



### MonoRail Showcase Arm Top Bar

\_\_ MNR4-SA-Kit-TB / 15.6" (396.5mm)  
 \_\_ MNR7-SA-Kit-TB / 26.6" (676.5mm)  
 \_\_ MNR11-SA-Kit-TB / 37.6" (955.5mm)  
 \_\_ MNR15-SA-Kit-TB / 48.6" (1234.5mm)



### MonoRail Spot

\_\_ MRS1 (color)K-24V-BK-15 (15°)  
 \_\_ MRS1 (color)K-24V-BK-35 (35°)  
 \_\_ MRS3 (color)K-24V-BK-25 (25°)  
 \_\_ MRS3 (color)K-24V-BK-45 (40°)  
 \_\_ MRS3 (color)K-24V-BK-60 (60°)



### MonoRail Pro

\_\_ MNP1 (color)K-24V-BK  
 \_\_ MNP4 (color)K-24V-BK  
 \_\_ MNP8 (color)K-24V-BK



### Dimming Interface (0-10V)

\_\_ FDC-L10  
 Max. 100W (100W/CH, 1CH) 0-10V  
 Signal  
 \*Required for 0-10V Dimming



### 12 Port Hub

\_\_ D12P-HUB  
 Included with Cord and Plug drivers.  
 Order separately for Hard Wire or 3rd Party Drivers



### Driver Junction Box

\_\_ MHWB-FLE



### Hard Wire Driver

\_\_ XLD200-224V-FCL-DIM  
 \_\_ XLD75-124V-FC \*  
 (90V to 300V)



### Hard Wire Driver

\_\_ FLE60-24V-L10-DIM  
 \_\_ FLE90-24V-L10-DIM

Additional Power Supply / Driver Options Available.  
 Please consult Factory.

**A Larger selection of drivers are available including remote and hard wire drivers. Please consult factory.**