

DATE	PROJECT	LOCATION	TYPE
------	---------	----------	------

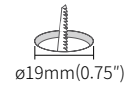


## PRODUCT FEATURES

- Micro light source for Millwork, Showcase, Museum & Furniture
- Rotatable head
- Constant voltage DC 24V driver
- Available in black, gold (Special order option : silver)
- Beam options (18°, 32°, 46°)
- Control with 0-10V, DALI, DMX, Zigbee

## PRODUCT SPECIFICATIONS

Power Input	24V DC Constant Voltage
Color Rendering Index	CRI >90
Available CCTs	2700K, 3000K, 3500K, 4000K
Energy efficiency	65lm/W
Operating Temperature Ranges	32-113°F (0-45°C)
Control	0-10V, DALI, DMX, Zigbee
Finish	Black, Gold (Special Order Option-Silver)
Beam Angle	18°, 32°, 46°
Lamp life	50,000hr / 70%
Warranty	5 year



## SPECIFICATION

Performance data shown below for 3000K CCT. Refer to individual luminaire IES files for other CCT options.

Model Name	Power Input	Lamp Power	Luminous Flux	Luminous Flux	Color Rendering Index	Color Temperature	Beam Angle	Operating Temperature
MCR-PT1 (color)K-24V-46	DC 24V	1.2W	79 lm	65 lm/W	CRI > 90	2700K / 3000K / 3500K / 4000K	18°, 32°, 46°	0-45°C (32-113°F)

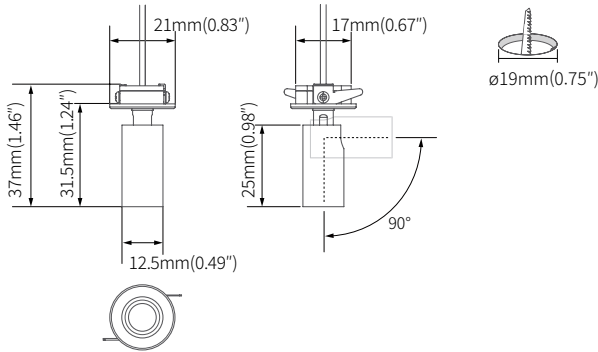
## SPECIFICATION GUIDE

NOT TO BE USED FOR ORDERING. The Specification Guide is intended solely to ensure that all options are considered.

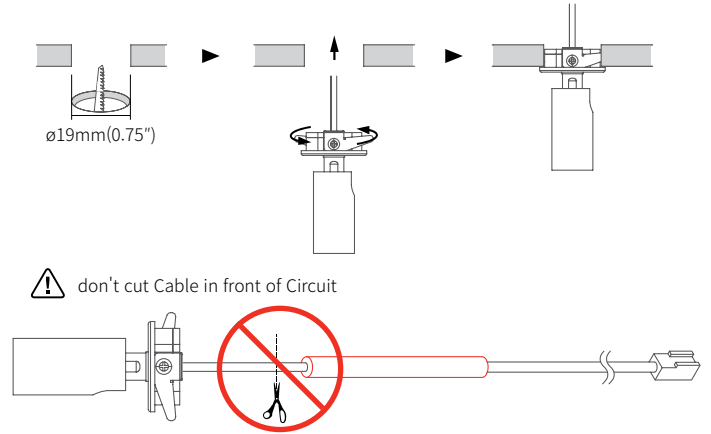
MODEL	COLOR	BEAM ANGLE	FINISH	MOUNTING	DRIVER	CONTROLS	VOLTAGE
MCR-PT1		C90					
MICRO POINT	27K -2700K 30K -3000K 35K -3500K 40K -4000K	18° 32° 46°	BK - Black GD - Gold SV - Silver (Special Order Option)	RM - Recessed Mount	CP - Cable/Plug HW - Hard Wire TD - 3rd Party Drivers Consult Factory	NDM - Non-Dim 0-10V DALI - DALI Interface DMX - DMX Interface	120V 230V 277V

## DIMENSIONS

### Micro Point

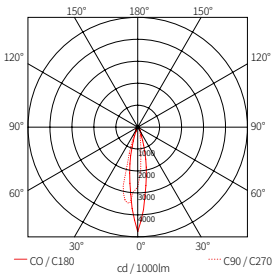


## INSTALLATION

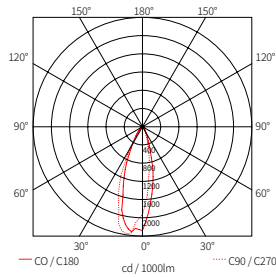


## BEAM SPREADS

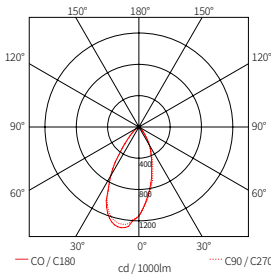
MCR-PT1 30K-24V-18-BK



MCR-PT1 30K-24V-32-BK



MCR-PT1 30K-24V-46-BK



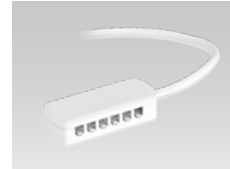
## COMPONENTS



**FLX Micro POINT**  
 \_\_MCR-PT1-(color)K-24V-18-BK  
 \_\_MCR-PT1-(color)K-24V-18-GD  
 • 18°, 32°, 46° angles are available  
 • Other finishes available as special order



**Control Interface (Zigbee)**  
 \_\_FDD-L2Z



**12 Port Hub**  
 \_\_D12P-HUB  
 Included with Cord and Plug drivers. Order separately for Hard Wire or 3rd Party Drivers



**Dimming Interface (0-10V)**  
 \_\_FDC-L10 \*  
 Max. 100W (100W/CH, 1CH)



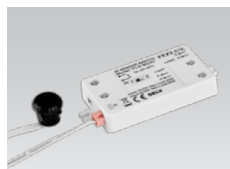
**Wireless Control (Zigbee Switch)**  
 \_\_FSM-Z1



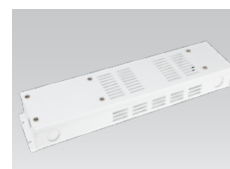
**LED Drivers**  
 \_\_FLC30-24V/XL (30W) \*  
 \_\_FLC75-24V/XL (75W) \*  
 With distributor and power cord 1800mm (6')



**Control Interface (0-10V)**  
 \_\_FDD-L20  
 Max. 200W (100W/CH, 2CH)



**Door and motion sensor**  
 \_\_FLS-M24V



**Driver Junction Box**  
 \_\_MHWB-FLE



**Control Interface (DALI)**  
 \_\_FDD-L1DA  
 Max. 200W (100W/CH, 1CH)



**Occupancy sensor**  
 \_\_FLS-P24V



**Hard Wire Driver**  
 \_\_XLD200-224V-FCL-DIM (0-10V)  
 \_\_XLD75-124V-FC \* (90V to 300V)



**Control Interface (0-10V, DMX512)**  
 \_\_FDA-L2MO  
 Max. 200W (100W/CH, 2CH)  
 \_\_FDA-L5M  
 Max. 200W (50W/CH, 5CH)

**A larger selection of drivers are available including remote and hard wire drivers. Please consult factory.**

\* FLC30, FLC75 and XLD75 require the FDC-L10 for 0-10V dimming



**Hard Wire Driver**  
 \_\_FLE60-24V-L10-DIM (Linear)  
 \_\_FLE90-24V-L10-DIM (Linear)