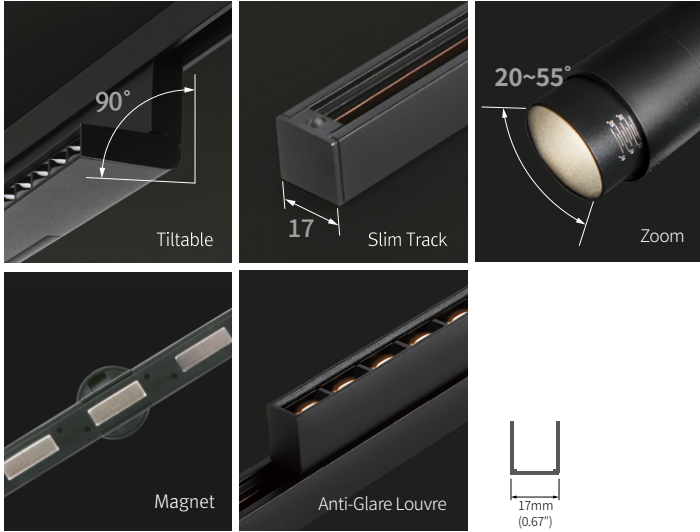


DATE	PROJECT	LOCATION	TYPE
------	---------	----------	------



PRODUCT FEATURES

- Ultra Small, Magnetic Track/Rail System
- Zoom Beam Anlge for FTM-SS05, -SS15
- Available tilting up to 90°
- Constant Voltage DC 48V
- Surface, Trimless and Pendant Mount Track Available
- Control with 0-10V, DALI

PRODUCT SPECIFICATIONS

Power Input	48V DC Constant Voltage
Color Rendering Index	CRI >90
Available CCTs	2700K, 3000K, 3500K, 4000K
Operating Temperature Ranges	32-113°F (0-45°C)
Control	0-10V
Finish	Black, White
Lamp life	50,000hr / 70%
Warranty	5 year Warranty

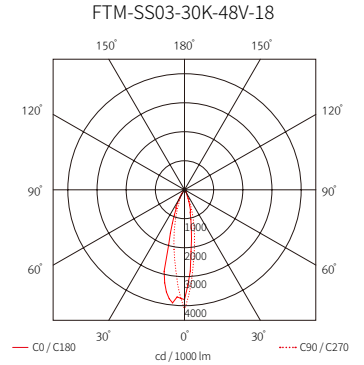
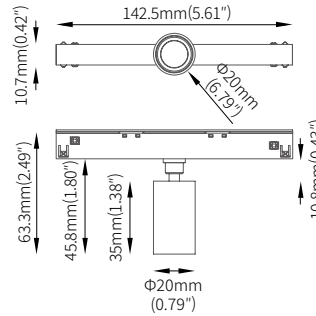
SPECIFICATION-FIXTURES

Performance data shown below for 3000K CCT. Refer to individual luminaire IES files for other CCT options.

Model Name	Power Input	Lamp Power	Luminous Flux	Luminous Efficacy	Color Rendering Index	Color Temperature	Beam Angle	Operating Temperature
FTM-SS03 (color)K-48V	DC 48V	3 W	186.9 lm	63.36 lm/W	CRI > 90	2700K/3000K/3500K/4000K	18°/22°	0-45°C (32-113°F)
FTM-SS05 (color)K-48V		5 W	438.9 lm	76.07 lm/W			24°/30°/36°	
FTM-SS05 (color)K-48V_ZOOM		5 W	280.7 lm	56.54 lm/W			15°~40°	
FTM-SS10 (color)K-48V		10 W	744.6 lm	76.34 lm/W			26°/34°/46°	
FTM-SS15 (color)K-48V		15 W	1,186.3 lm	79.08 lm/W			21°/32°/42°	
FTM-SS15 (color)K-48V-ZOOM		15 W	1,055.4 lm	73.95 lm/W			20°~55°	
FTM-LS20 (color)K-48V		10 W	587.7 lm	62.52 lm/W			30°	
FTM-LS20 (color)K-48V-TILT		10 W	602.3 lm	63.80 lm/W			30°	
FTM-LS30 (color)K-48V		15 W	839.4 lm	64.05 lm/W			30°	
FTM-LS30 (color)K-48V-TILT		15 W	827.9 lm	64.21 lm/W			30°	
FTM-LM20 (color)K-48V		10 W	475.4 lm	47.91 lm/W			110°	
FTM-LM20 (color)K-48V-TILT		10 W	455.1 lm	45.17 lm/W			110°	
FTM-LM30 (color)K-48V		15 W	724.5 lm	52.42 lm/W			110°	
FTM-LM30 (color)K-48V-TILT		15 W	710.5 lm	53.38 lm/W			110°	



FTM-SS03 Non-dimmable

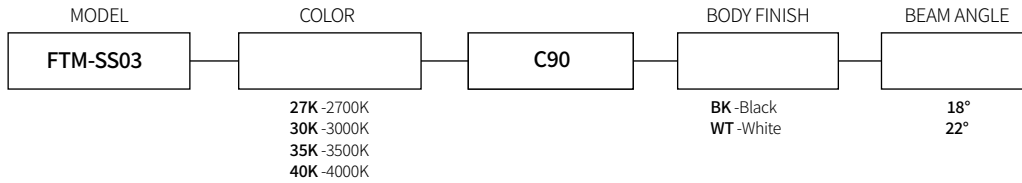


3000K performance data given. Refer to individual luminaire IES files for other CCTs.

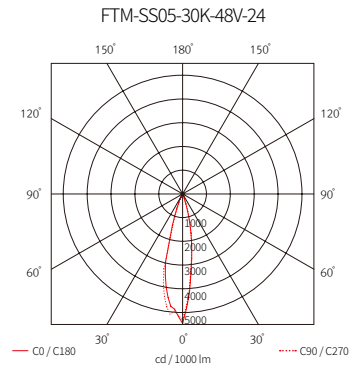
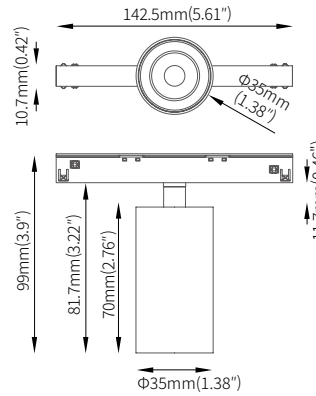
Model Name	Power Input	Lamp Power	Luminous Flux	Luminous Efficacy	Color Rendering Index	Color Temperature (CCT)	Beam Angle	Weight of Luminaire	Operating Temperature
FTM-SS03 (color)K-48V	DC 48V	3 W	186.9 lm	63.36 lm/W	CRI > 90	2700K/3000K/3500K/4000K	18°/22°	41g (0.09lb)	0-45°C (32-113°F)

SPECIFICATION GUIDE [Please refer to Page 9 for Track Compatibility.](#)

NOT TO BE USED FOR ORDERING. The Specification Guide is intended solely to ensure that all options are considered.



FTM-SS05

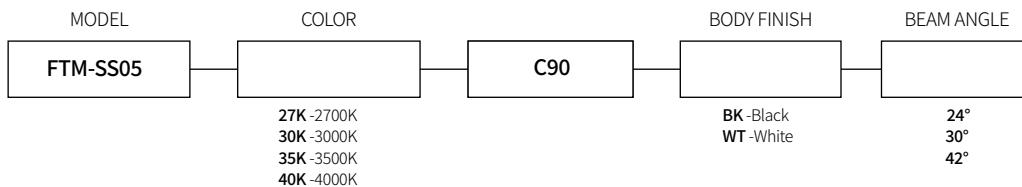


3000K performance data given. Refer to individual luminaire IES files for other CCTs.

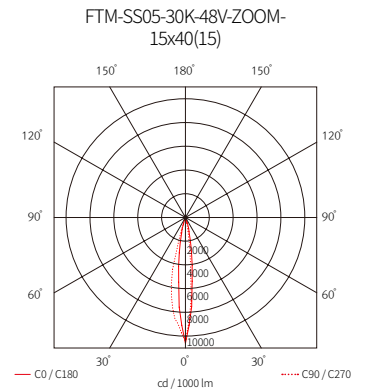
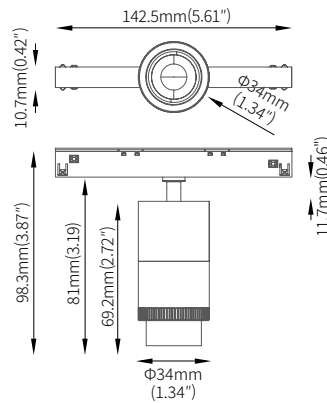
Model Name	Power Input	Lamp Power	Luminous Flux	Luminous Efficacy	Color Rendering Index	Color Temperature (CCT)	Beam Angle	Weight of Luminaire	Operating Temperature
FTM-SS05 (color)K-48V	DC 48V	5 W	438.9 lm	76.07 lm/W	CRI > 90	2700K/3000K/3500K/4000K	24°/30°/42°	126g (0.28lb)	0-45°C (32-113°F)

SPECIFICATION GUIDE [Please refer to Page 9 for Track Compatibility.](#)

NOT TO BE USED FOR ORDERING. The Specification Guide is intended solely to ensure that all options are considered.



FTM-SS05-ZOOM Non-dimmable

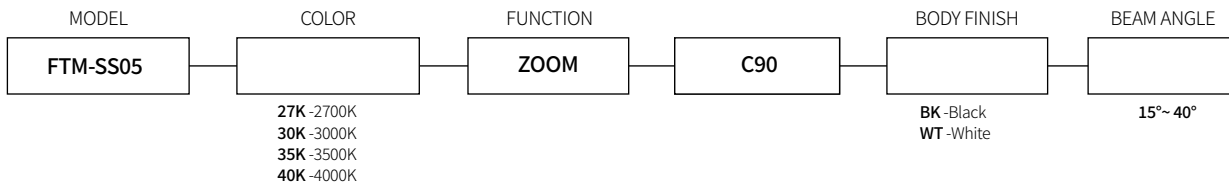


3000K performance data given. Refer to individual luminaire IES files for other CCTs.

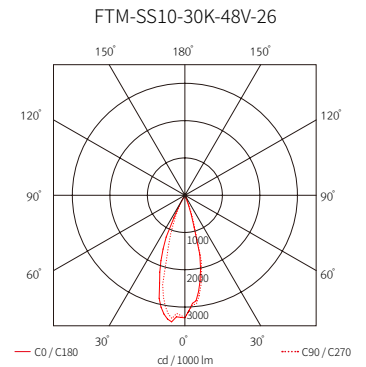
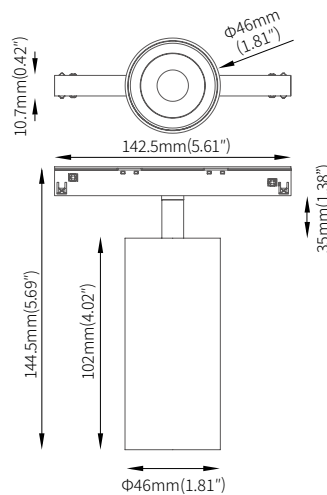
Model Name	Power Input	Lamp Power	Luminous Flux	Luminous Efficacy	Color Rendering Index	Color Temperature (CCT)	Beam Angle	Weight of Luminaire	Operating Temperature
FTM-SS05 (color)K-48V-ZOOM	DC 48V	5 W	280.7 lm	56.54 lm/W	CRI > 90	2700K/3000K/3500K/4000K	15°~40°	126g (0.28lb)	0-45°C (32-113°F)

SPECIFICATION GUIDE Please refer to Page 9 for Track Compatibility.

NOT TO BE USED FOR ORDERING. The Specification Guide is intended solely to ensure that all options are considered.



FTM-SS10

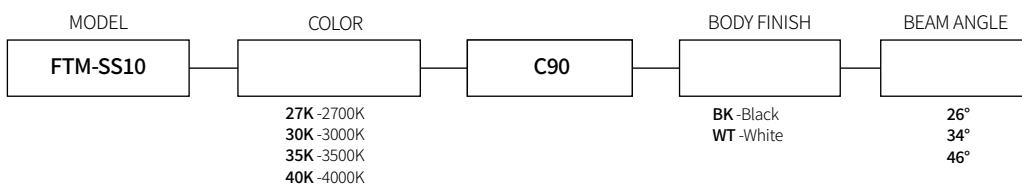


3000K performance data given. Refer to individual luminaire IES files for other CCTs.

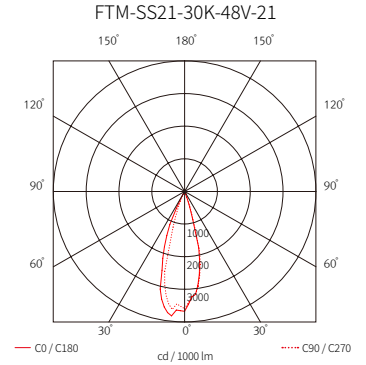
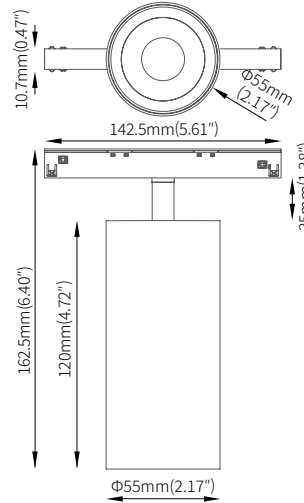
Model Name	Power Input	Lamp Power	Luminous Flux	Luminous Efficacy	Color Rendering Index	Color Temperature (CCT)	Beam Angle	Weight of Luminaire	Operating Temperature
FTM-SS10 (color)K-48V	DC 48V	10 W	744.6 lm	76.34 lm/W	CRI > 90	2700K/3000K/3500K/4000K	26°/34°/46°	171g (0.38lb)	0-45°C (32-113°F)

SPECIFICATION GUIDE Please refer to Page 9 for Track Compatibility.

NOT TO BE USED FOR ORDERING. The Specification Guide is intended solely to ensure that all options are considered.



FTM-SS15

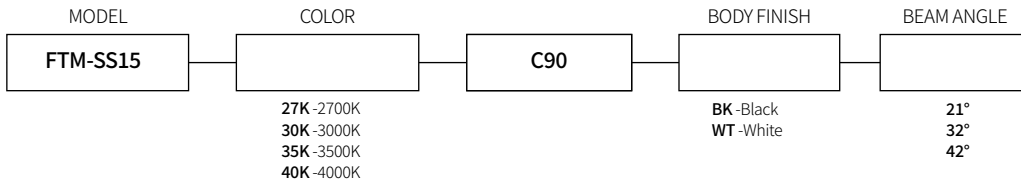


3000K performance data given. Refer to individual luminaire IES files for other CCTs.

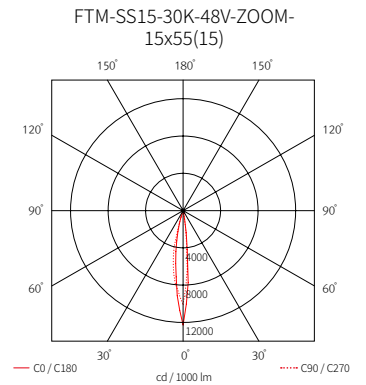
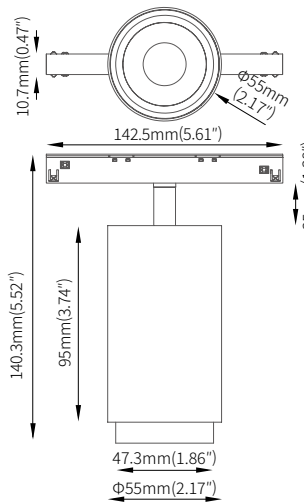
Model Name	Power Input	Lamp Power	Luminous Flux	Luminous Efficacy	Color Rendering Index	Color Temperature (CCT)	Beam Angle	Weight of Luminaire	Operating Temperature
FTM-SS15 (color)K-48V	DC 48V	15 W	1,186.3 lm	79.08 lm/W	CRI > 90	2700K/3000K/3500K/4000K	21°/32°/42°	245g (0.54lb)	0-45°C (32-113°F)

SPECIFICATION GUIDE Please refer to Page 9 for Track Compatibility.

NOT TO BE USED FOR ORDERING. The Specification Guide is intended solely to ensure that all options are considered.



FTM-SS15-ZOOM

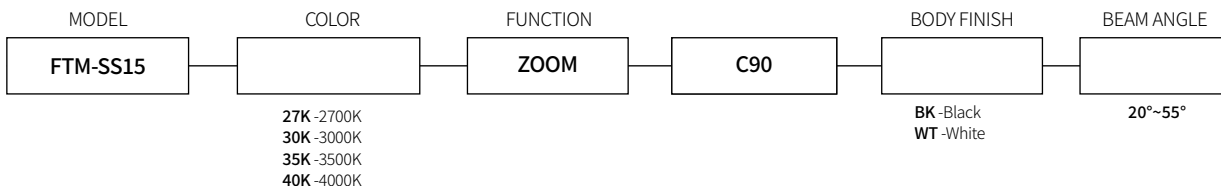


3000K performance data given. Refer to individual luminaire IES files for other CCTs.

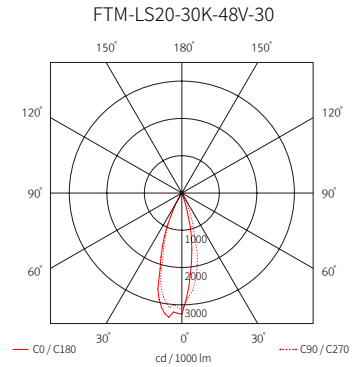
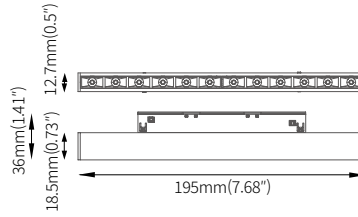
Model Name	Power Input	Lamp Power	Luminous Flux	Luminous Efficacy	Color Rendering Index	Color Temperature (CCT)	Beam Angle	Weight of Luminaire	Operating Temperature
FTM-SS15 (color)K-48V-ZOOM	DC 48V	15 W	1,055.4 lm	73.95 lm/W	CRI > 90	2700K/3000K/3500K/4000K	20°~55°	269g (0.60lb)	0-45°C (32-113°F)

SPECIFICATION GUIDE Please refer to Page 9 for Track Compatibility.

NOT TO BE USED FOR ORDERING. The Specification Guide is intended solely to ensure that all options are considered.



FTM-LS20

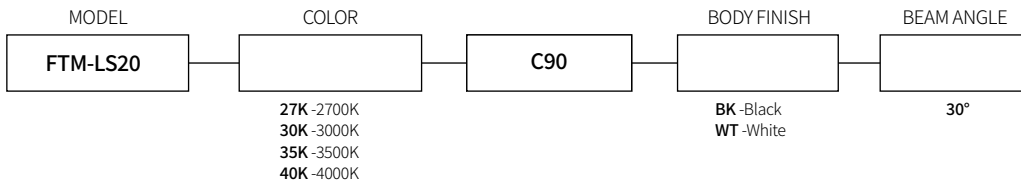


3000K performance data given. Refer to individual luminaire IES files for other CCTs.

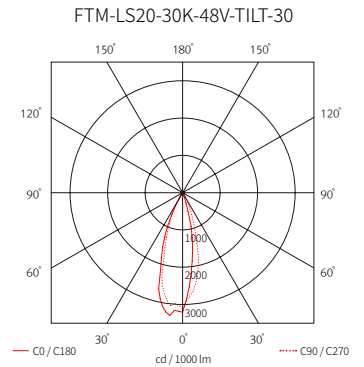
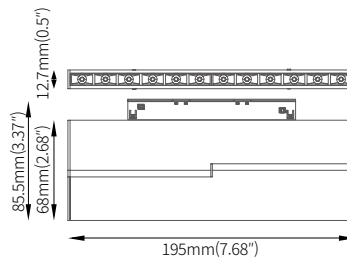
Model Name	Power Input	Lamp Power	Luminous Flux	Luminous Efficacy	Color Rendering Index	Color Temperature (CCT)	Beam Angle	Weight of Luminaire	Operating Temperature
FTM-LS20 (color)K-48V	DC 48V	10 W	587.7 lm	62.52 lm/W	CRI > 90	2700K/3000K/3500K/4000K	30°	78g (0.17lb)	0-45°C (32-113°F)

SPECIFICATION GUIDE [Please refer to Page 9 for Track Compatibility.](#)

NOT TO BE USED FOR ORDERING. The Specification Guide is intended solely to ensure that all options are considered.



FTM-LS20-TILT

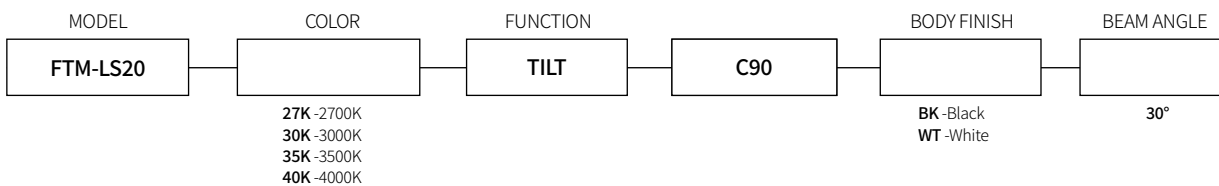


3000K performance data given. Refer to individual luminaire IES files for other CCTs.

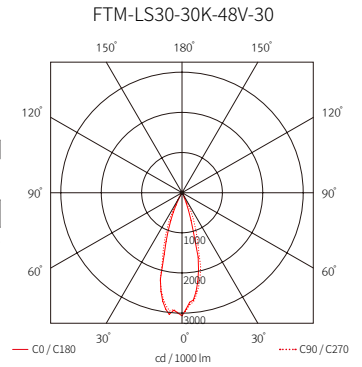
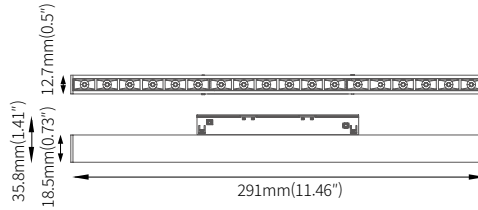
Model Name	Power Input	Lamp Power	Luminous Flux	Luminous Efficacy	Color Rendering Index	Color Temperature (CCT)	Beam Angle	Weight of Luminaire	Operating Temperature
FTM-LS20 (color)K-48V-TILT	DC 48V	10 W	602.3 lm	63.80 lm/W	CRI > 90	2700K/3000K/3500K/4000K	30°	197g (0.43lb)	0-45°C (32-113°F)

SPECIFICATION GUIDE [Please refer to Page 9 for Track Compatibility.](#)

NOT TO BE USED FOR ORDERING. The Specification Guide is intended solely to ensure that all options are considered.



FTM-LS30

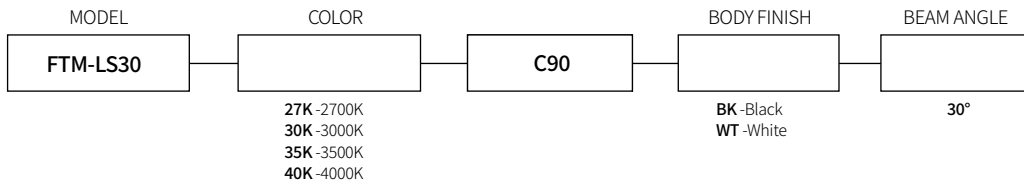


3000K performance data given. Refer to individual luminaire IES files for other CCTs.

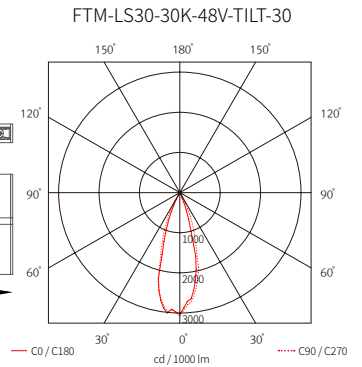
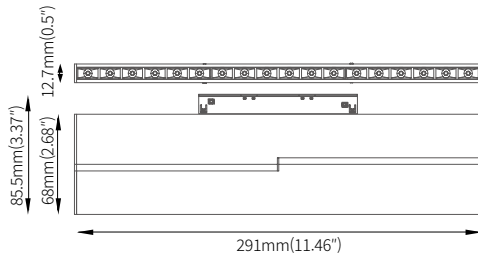
Model Name	Power Input	Lamp Power	Luminous Flux	Luminous Efficacy	Color Rendering Index	Color Temperature (CCT)	Beam Angle	Weight of Luminaire	Operating Temperature
FTM-LS30 (color)K-48V	DC 48V	15 W	839.4 lm	64.05 lm/W	CRI > 90	2700K/3000K/3500K/4000K	30°	107g (0.24lb)	0-45°C (32-113°F)

SPECIFICATION GUIDE [Please refer to Page 9 for Track Compatibility.](#)

NOT TO BE USED FOR ORDERING. The Specification Guide is intended solely to ensure that all options are considered.



FTM-LS30-TILT

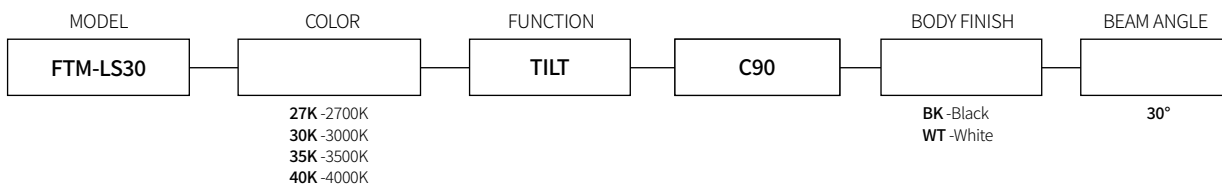


3000K performance data given. Refer to individual luminaire IES files for other CCTs.

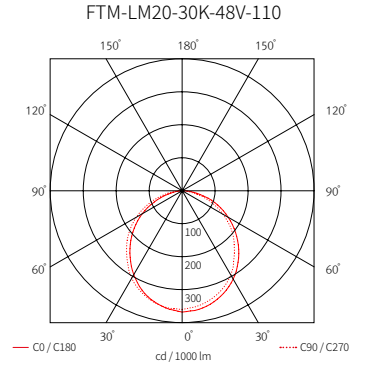
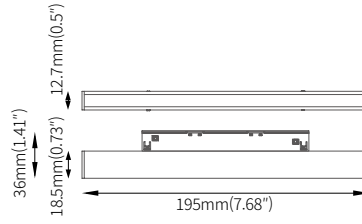
Model Name	Power Input	Lamp Power	Luminous Flux	Luminous Efficacy	Color Rendering Index	Color Temperature (CCT)	Beam Angle	Weight of Luminaire	Operating Temperature
FTM-LS30 (color)K-48V-TILT	DC 48V	15 W	827.9 lm	64.21 lm/W	CRI > 90	2700K/3000K/3500K/4000K	30°	276g (0.61lb)	0-45°C (32-113°F)

SPECIFICATION GUIDE [Please refer to Page 9 for Track Compatibility.](#)

NOT TO BE USED FOR ORDERING. The Specification Guide is intended solely to ensure that all options are considered.



FTM-LM20

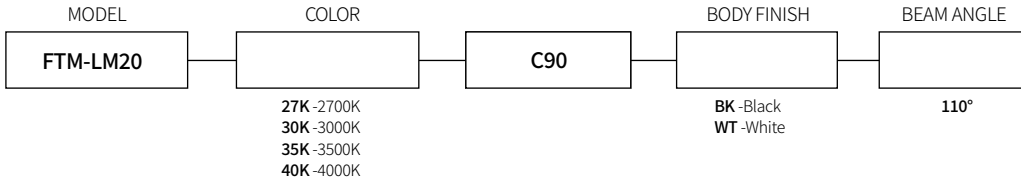


3000K performance data given. Refer to individual luminaire IES files for other CCTs.

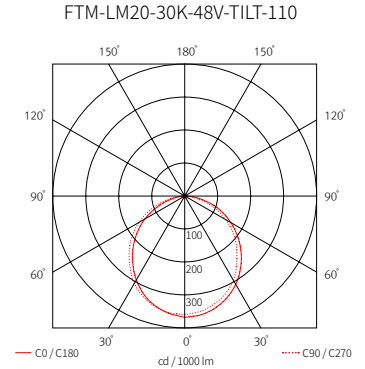
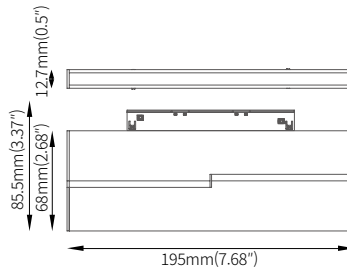
Model Name	Power Input	Lamp Power	Luminous Flux	Luminous Efficacy	Color Rendering Index	Color Temperature (CCT)	Beam Angle	Weight of Luminaire	Operating Temperature
FTM-LM20 (color)K-48V	DC 48V	10 W	475.4 lm	47.91 lm/W	CRI > 90	2700K/3000K/3500K/4000K	110°	72g (0.16lb)	0-45°C (32-113°F)

SPECIFICATION GUIDE [Please refer to Page 9 for Track Compatibility.](#)

NOT TO BE USED FOR ORDERING. The Specification Guide is intended solely to ensure that all options are considered.



FTM-LM20-TILT

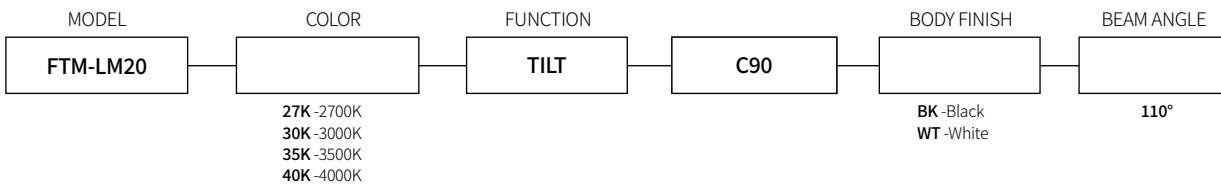


3000K performance data given. Refer to individual luminaire IES files for other CCTs.

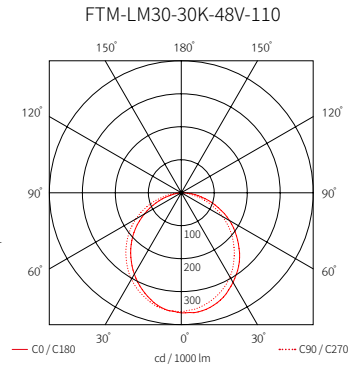
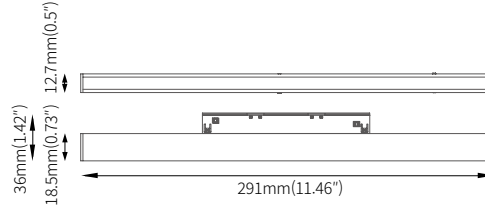
Model Name	Power Input	Lamp Power	Luminous Flux	Luminous Efficacy	Color Rendering Index	Color Temperature (CCT)	Beam Angle	Weight of Luminaire	Operating Temperature
FTM-LM20 (color)K-48V-TILT	DC 48V	10 W	455.1 lm	45.17 lm/W	CRI > 90	2700K/3000K/3500K/4000K	110°	192g (0.42lb)	0-45°C (32-113°F)

SPECIFICATION GUIDE [Please refer to Page 9 for Track Compatibility.](#)

NOT TO BE USED FOR ORDERING. The Specification Guide is intended solely to ensure that all options are considered.



FTM-LM30

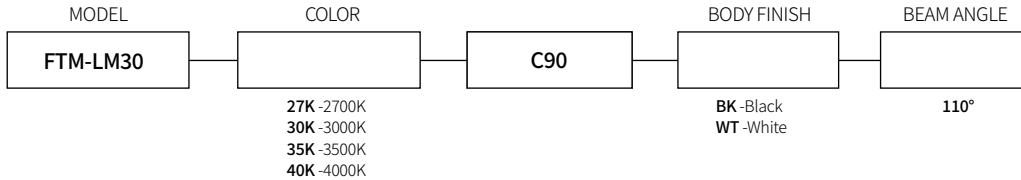


3000K performance data given. Refer to individual luminaire IES files for other CCTs.

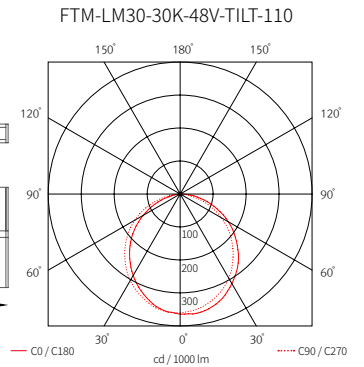
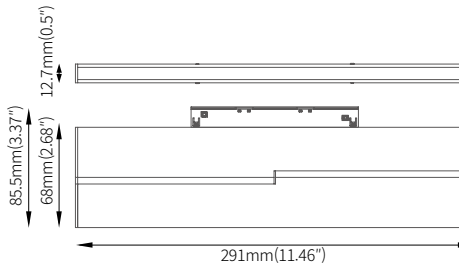
Model Name	Power Input	Lamp Power	Luminous Flux	Luminous Efficacy	Color Rendering Index	Color Temperature (CCT)	Beam Angle	Weight of Luminaire	Operating Temperature
FTM-LM30 (color)K-48V	DC 48V	15 W	724.5 lm	52.42 lm/W	CRI > 90	2700K/3000K/3500K/4000K	110°	98g (0.22lb)	0-45°C (32-113°F)

SPECIFICATION GUIDE [Please refer to Page 9 for Track Compatibility.](#)

NOT TO BE USED FOR ORDERING. The Specification Guide is intended solely to ensure that all options are considered.



FTM-LM30-TILT

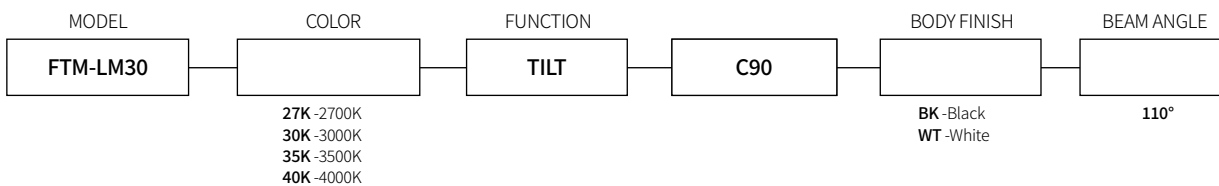


3000K performance data given. Refer to individual luminaire IES files for other CCTs.

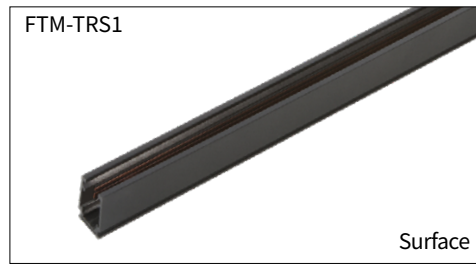
Model Name	Power Input	Lamp Power	Luminous Flux	Luminous Efficacy	Color Rendering Index	Color Temperature (CCT)	Beam Angle	Weight of Luminaire	Operating Temperature
FTM-LM30 (color)K-48V-TILT	DC 48V	15 W	710.5 lm	53.38 lm/W	CRI > 90	2700K/3000K/3500K/4000K	110°	269g (0.59lb)	0-45°C (32-113°F)

SPECIFICATION GUIDE [Please refer to Page 9 for Track Compatibility.](#)

NOT TO BE USED FOR ORDERING. The Specification Guide is intended solely to ensure that all options are considered.



FTM Track



Compatible Luminaires					
Luminaire	FTM-TRS1	FTM-TRS2	FTM-TRT1	FTM-TRT2	FTM-TRP
FTM-SS03 ✱	○		○		○
FTM-SS05 ✱	○		○		○
FTM-SS05-ZOOM ✱	○		○		○
FTM-SS10	○	○	○	○	○
FTM-SS15	○	○	○	○	○
FTM-SS15-ZOOM	○	○	○	○	○
FTM LS20	○	○	○	○	○
FTM LS20-TILT	○	○	○	○	○
FTM LS30	○	○	○	○	○
FTM LS30-TILT	○	○	○	○	○
FTM LM20	○	○	○	○	○
FTM LM20-TILT	○	○	○	○	○
FTM LM30	○	○	○	○	○
FTM LM30-TILT	○	○	○	○	○

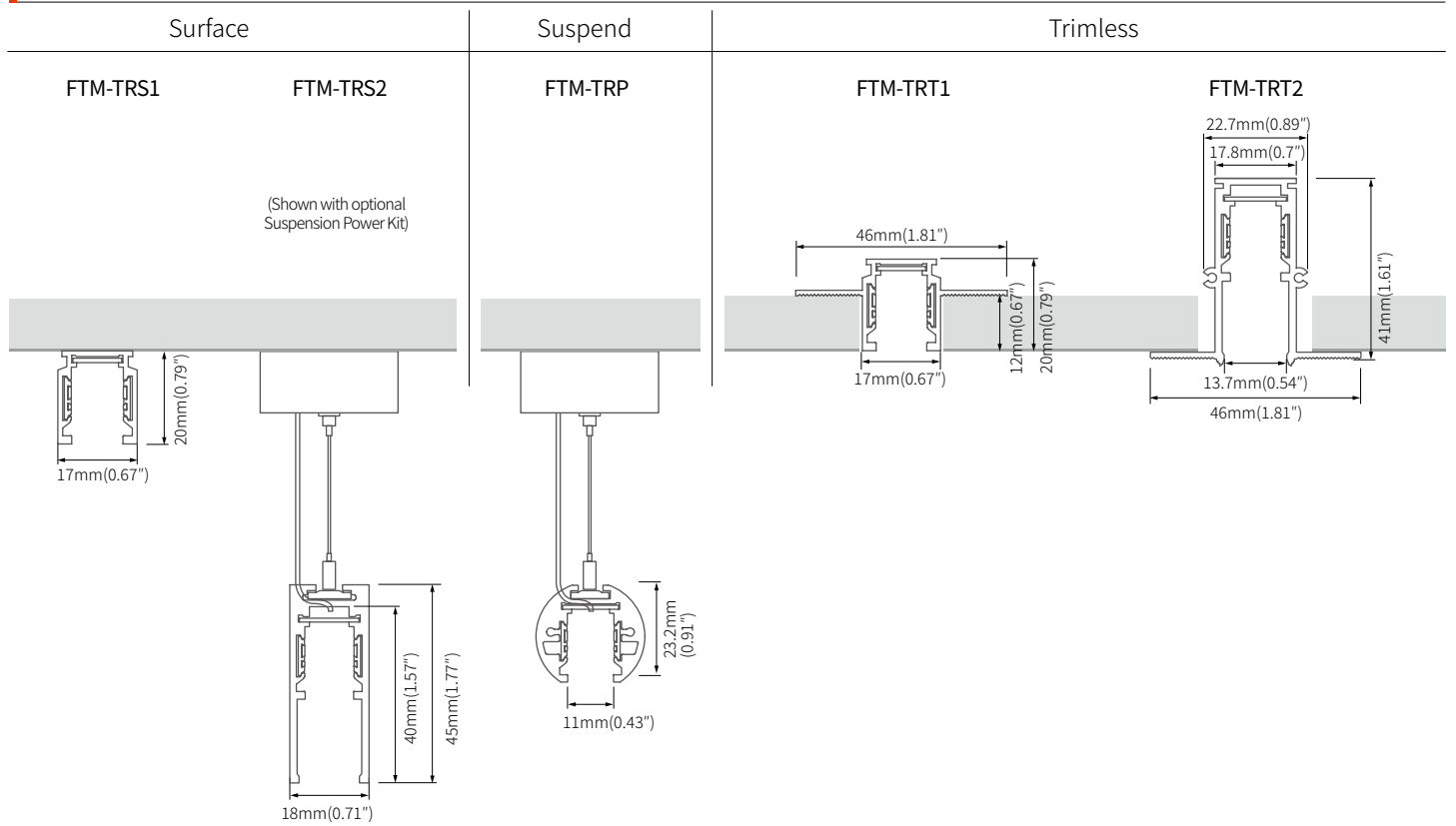
✱SS03 / SS05 / SS05-Zoom are not compatible with TRS2, TRT2 track.

SPECIFICATION GUIDE

NOT TO BE USED FOR ORDERING. The Specification Guide is intended solely to ensure that all options are considered.

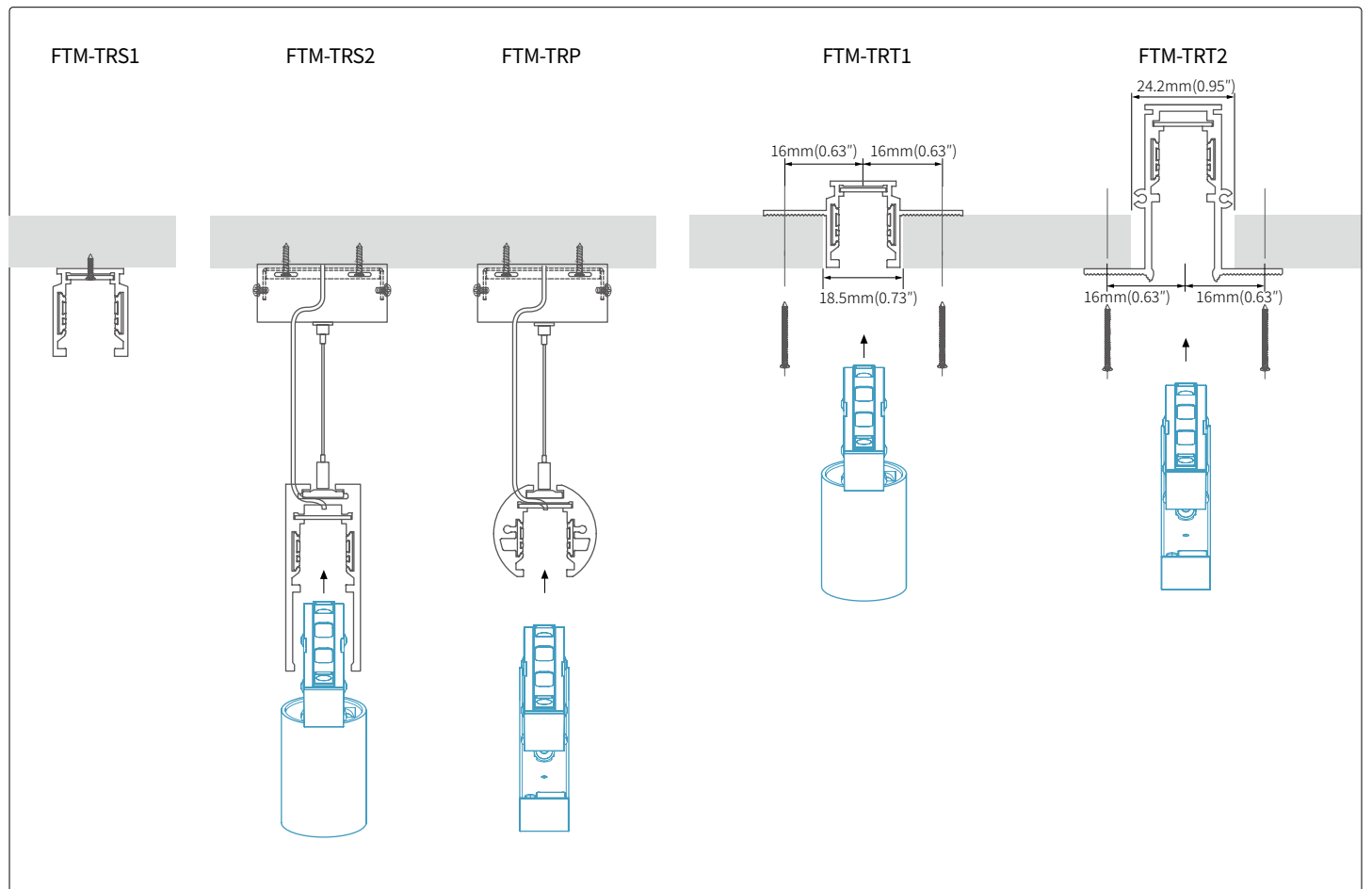
MODEL	FINISH	LENGTH	DRIVER	CONTROLS	VOLTAGE
FTM-TRS1 FTM-TRS2 FTM-TRT1 FTM-TRT2 FTM-TRP	BK -Black WT -White	1200mm(3.94') 2400mm(7.87')	CP - Cable/Plug HW - Hard Wire TD - 3rd Party Drivers Consult Factory	NDM - Non-Dim 0-10V DALI	120V 230V 277V

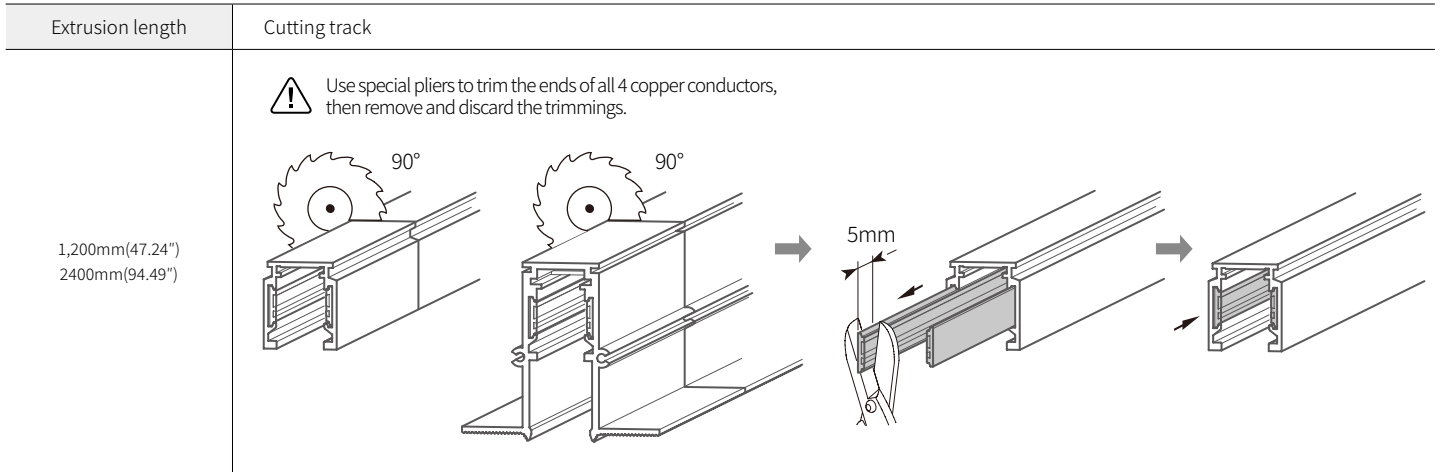
DIMENSION



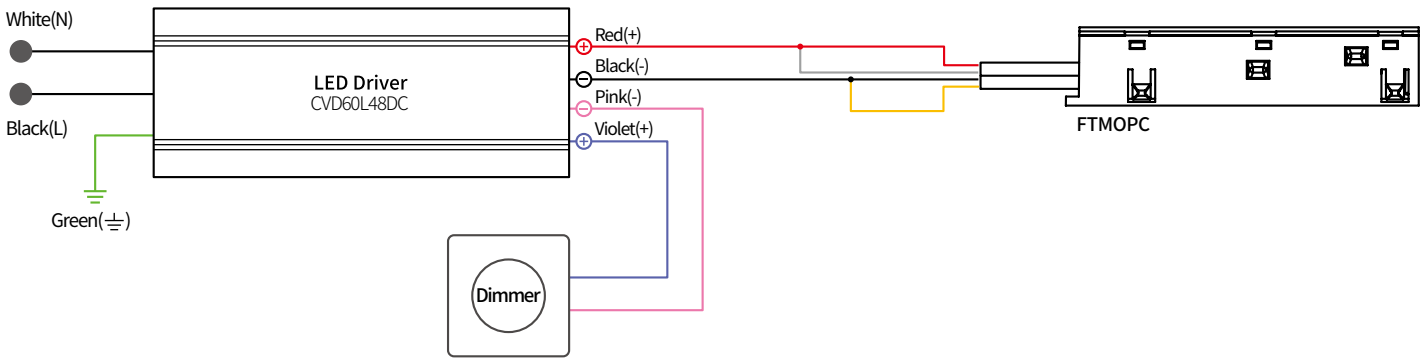
INSTALLATION *

*Refer to the Compatible Luminaire chart on p.9





WIRING DIAGRAM (0-10V dimming)



COMPONENTS



Power Connector
 __FTMOPC-BK
 (1,500mm/59.06")
 __FTMOPC-WT
 (1,500mm/59.06")



Suspension Power Kit for TRP Track
 __FTM-SK-POWER-BK
 __FTM-SK-POWER-WT



Control Interface (0-10V)
 __FDD-L20
 Max. 200W (100W/CH, 2CH)
 (24~48V)



Direct Connector
 __FTMCP-L-BK
 __FTMCP-L-WT



Joint Bracket for TRS1, TRT1, TRP
 __FTM-JOINT1-BK



Control Interface (DALI)
 __FDD-L1DA
 Max. 200W (100W/CH, 1CH)
 (24~48V)



Flexible Connector
 __FTMPTC-BK
 (100mm/3.94")
 __FTMPTC-WT
 (100mm/3.94")



Joint Bracket for TRS2, TRT2
 __FTM-JOINT2-BK



Hard Wire Driver
 __CVD60L48DC
 Note: FDD-L20 is NOT required to dim using this power supply/driver

A larger selection of drivers are available including remote and hard wire drivers. Please consult factory.