

DATE PROJECT LOCATION TYPE



PRODUCT FEATURES

- Seamless Diode Free Illumination
- UV-resistant Silicon material
- Ultra Slim
- Field Cut 33.4mm (1.31")
- Top Bend
- Control with 0-10V, Forward Phase, DALI, DMX, Zigbee
- Interior and Exterior Applications
- Available in Standard Lengths of 1,2,3,4,5M Reels

PRODUCT SPECIFICATIONS

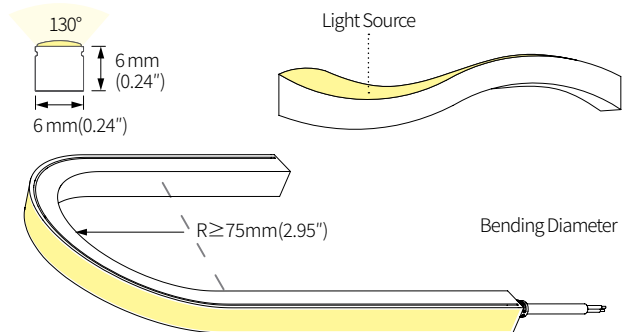
Lamp Power	7.7W/M (2.34W/ft)
Power Input	24V DC Constant Voltage Feelux or Approved Class 2 Drivers
Color Rendering Index	CRI >90
Available CCTs	2200K, 2400K, 2700K, 3000K, 3500K, 4000K
Operating Temperature Ranges	-4°F to 122°F (-20°C to 50°C)
Control	0-10V, Forward Phase, DALI, DMX, Zigbee
Material	Silicone
Beam Angle	130°
Maximum Length	5,000mm (16.4')
Minimum Length	33.4mm (1.31")
Bend Diameter	30mm(1.18")
Lamp life	50,000hr / 70%
Warranty	5 year Warranty
IP Rate	IP67 with Factory Termination
	IP65 with Field Termination

SPECIFICATIONS TABLE



Model Name	Color Temperature	Lamp Power	Luminous Flux	Lumen/W
FNN2 22K-24V-C90	2200K	7.2 W/M (2.2 W/ft)	148.9 lm/ft	67.8 lm/W
FNN2 24K-24V-C90	2400K		151.6 lm/ft	69 lm/W
FNN2 27K-24V-C90	2700K		164.7 lm/ft	75 lm/W
FNN2 30K-24V-C90	3000K		167.6 lm/ft	76.4 lm/W
FNN2 35K-24V-C90	3500K		178.4 lm/ft	81.3 lm/W
FNN2 40K-24V-C90	4000K		179.7 lm/ft	81.6 lm/W

PHYSICAL SPECIFICATIONS



SPECIFICATION GUIDE

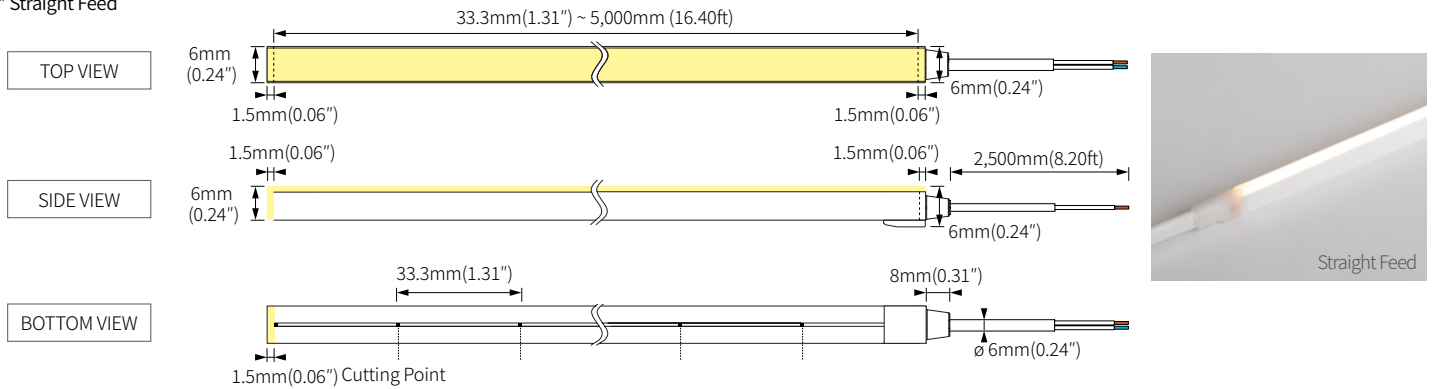
NOT TO BE USED FOR ORDERING. The Specification Guide is intended solely to ensure that all options are considered.

MODEL	COLOR	FEED TYPE	MOUNTING	EXTRUSION	DRIVER	CONTROLS	VOLTAGE
FNN2	22K -2200K* 24K -2400K* 27K -2700K 30K -3000K 35K -3500K 40K -4000K	STD - Straight Feed	STD - (Flat Brackets) CLIP - (Clip Brackets)	EXL (Rigid)	CP - Cable/Plug HW - Hard Wire TD - 3rd Party Drivers Consult Factory	NDM - Non-Dim 0-10V FPH - Forward Phase DALI - DALI Interface DMX - DMX Interface	120V 230V 277V

* Available, As Special Order Consult Feelux Lighting

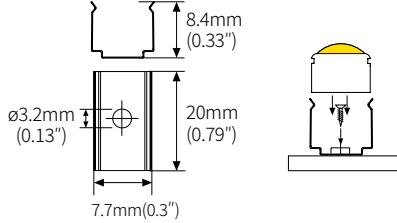
DIMENSIONS

* Straight Feed

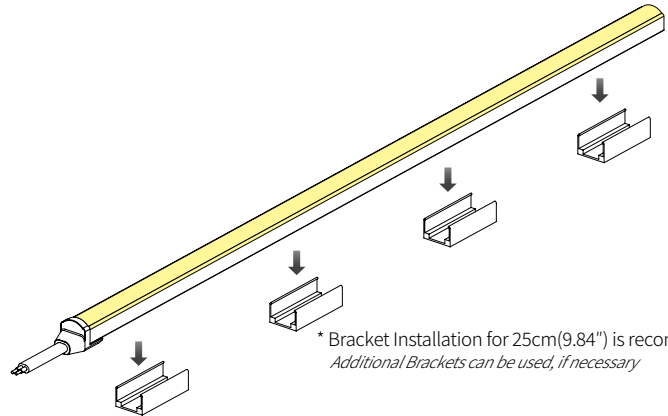
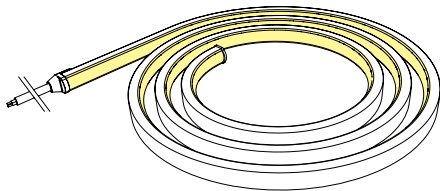


INSTALLATION

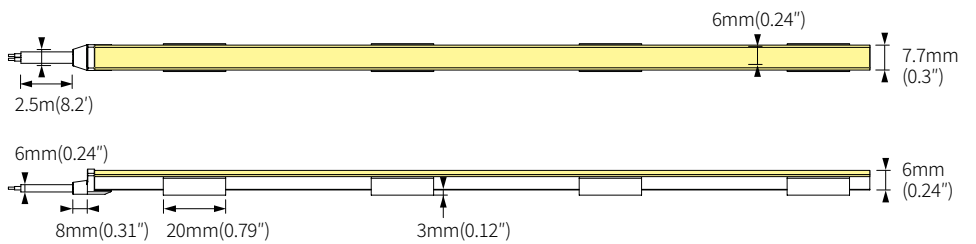
* Bracket



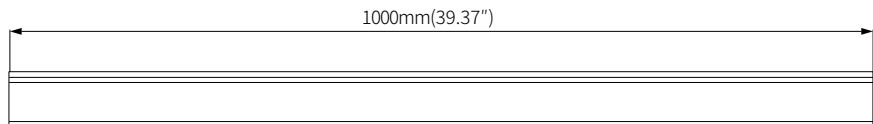
* Bracket & Screw are included every 25cm (9.84")



* Bracket Installation for 25cm (9.84") is recommended
Additional Brackets can be used, if necessary

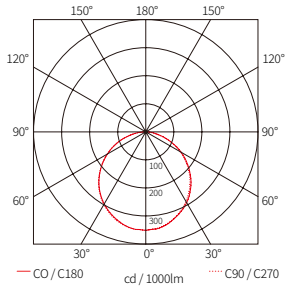


* Extrusion Line

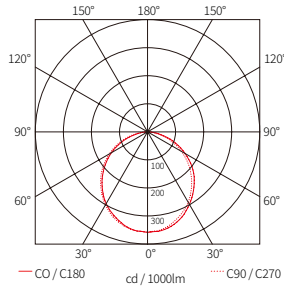


BEAM SPREADS

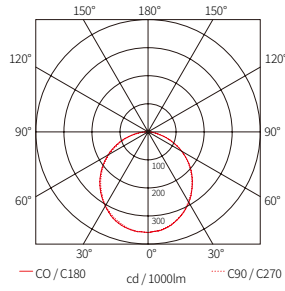
FNN2 22K-C90-1M
67.8lm/W 488.3lm



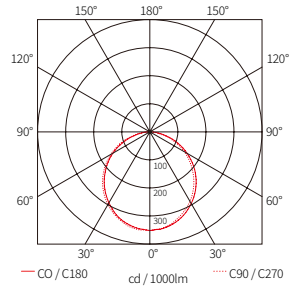
FNN2 24K-C90-1M
69lm/W 497.2lm



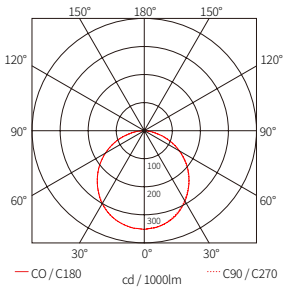
FNN2 27K-C90-1M
75lm/W 540.1lm



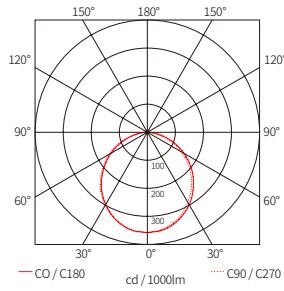
FNN2 30K-C90-1M
76.4lm/W 549.8lm



FNN2 35K-C90-1M
81.3lm/W 585.3lm



FNN2 40K-C90-1M
81.6lm/W 179.7lm

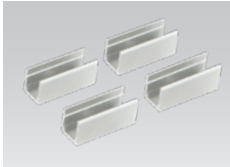


COMPONENTS



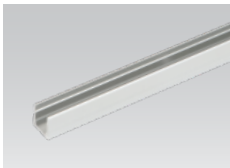
FLXible Neon Narrow 2

- __FNN2 (color)K-24V-C90-5M(16.4')
- __FNN2 (color)K-24V-C90-4M(13.1')
- __FNN2 (color)K-24V-C90-3M(9.8')
- __FNN2 (color)K-24V-C90-2M(6.6')
- __FNN2 (color)K-24V-C90-1M(3.3')



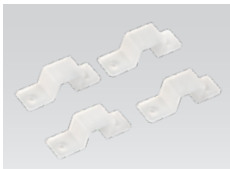
Mounting Brackets

- __FNN2-BRACKET1



FNN1 Extrusion Line

- __FNN2-EXL
(1,000mm/3.28')



Strap

- __FNN2-Strap
- *Order Separately



End Cap

- __FNN2-End Cap



Dimming Interface (0-10V)

- __FDC-L10 *
- Max. 100W (100W/CH, 1CH)



Control Interface (0-10V)

- __FDD-L20
- Max. 200W (100W/CH, 2CH)



Control Interface (DALI)

- __FDD-L1DA
- Max. 200W (100W/CH, 1CH)



Control Interface (0-10V,DMX512)

- __FDA-L2MO
- Max. 200W (100W/CH, 2CH)
- __FDA-L5M
- Max. 200W (50W/CH, 5CH)



Control Interface (Zigbee)

- __FDD-L2Z



Wireless Control (Zigbee Switch)

- __FSM-Z1



Door and motion sensor

- __FLS-M24V



Occupancy sensor

- __FLS-P24V



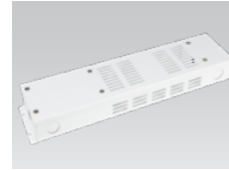
12 Port Hub

- __D12P-HUB
- Included with Cord and Plug drivers. Order separately for Hard Wire or 3rd Party Drivers



LED Drivers

- __FLC30-24V/XL (30W) *
- __FLC75-24V/XL (75W) *
- With distributor and power cord 1800mm (6')



Driver Junction Box

- __MHWB-FLE



Hard Wire Driver

- __XLD200-224V-FCL-DIM (0-10V)
- __XLD75-124V-FC * (90V to 300V)



Hard Wire Driver

- __FLE60-24V-L10-DIM (Linear)
- __FLE90-24V-L10-DIM (Linear)

A larger selection of drivers are available including remote and hard wire drivers. Please consult factory.

*FLC30, FLC75 and XLD75 require FDC-L10 for 0-10V dimming

Individual Packaging

includes 1 reel, bracket(4 pcs), screw(4 pcs), and end cap(1 pc)