

DATE PROJECT LOCATION TYPE



PRODUCT FEATURES

- Flexible luminaire with optics
- Bend Direction-Horizontal and Vertical
- IP 67 rating for Interior and exterior applications
- 90+ CRI Standard
- Beam angles (20°, 35°, 45°, 20°x 40°)
- Field-cut 55.4mm (2.18")
- Dim to Warm/Tunable White Available (2200K-4000K)
- Angled Mounting Bracket Option
- Flexible Extrusion Options
- Shielding Louver Options
- Silicon End Caps for Continuous Illumination
- Straight and Bottom feed options

PRODUCT SPECIFICATIONS

IP Rate	IP67
Lamp Power	20W/m (6.1W/ft)
Power Input	24V DC
Color Rendering	Ra>90
Operating Temperature Ranges	-20°C to 40°C (-4°F to 104°F)
Maximum Length	5,000mm (16.5')
Minimum Length-Cut Point	91.4mm (3.6")
Bend Diameter	200mm (7.9")
Beam Angle	20°, 35°, 45°, 20°x 40°
Material	Silicone

SPECIFICATION

* Based on 4000K

Model Number	Power Input	Lamp Power	Lumen/W	Luminous Flux	Color Rendering	Operating Temperature	Beam Angle	Material
FNL 3D 40K-24V-C90-1M	DC 24V	18.7 W	75 lm/W	1,405 lm	Ra > 90	-20°C to 40°C (-4°F to 104°F)	20° 35° 45° 20x40°	Silicon
FNL 3D 40K-24V-C90-2M		35.7 W	75 lm/W	2,664 lm				
FNL 3D 40K-24V-C90-3M		50 W	79 lm/W	4,035 lm				
FNL 3D 40K-24V-C90-4M		64.3 W	82 lm/W	5,254 lm				
FNL 3D 40K-24V-C90-5M		76.2 W	77 lm/W	5,873 lm				

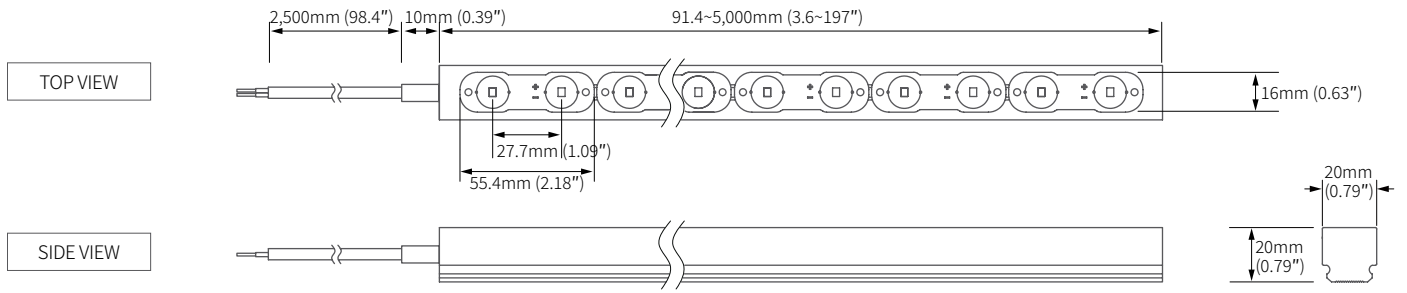
SPECIFICATION GUIDE

MODEL	COLOR	VOLTAGE	CRI	BEAM ANGLE	FEED	RUN LENGTH
FNL 3D	27K -2700K 30K -3000K 35K -3500K 40K -4000K 65K -6500K SC -2200K~4000K	24V	C90	20° 35° 45° 20x40°	STD - Straight Feed BS - Bottom Feed	1M -1,000mm(3.28') 2M -2,000mm(6.56') 3M -3,000mm(9.84') 4M -4,000mm(13.12') 5M -5,000mm(16.4')

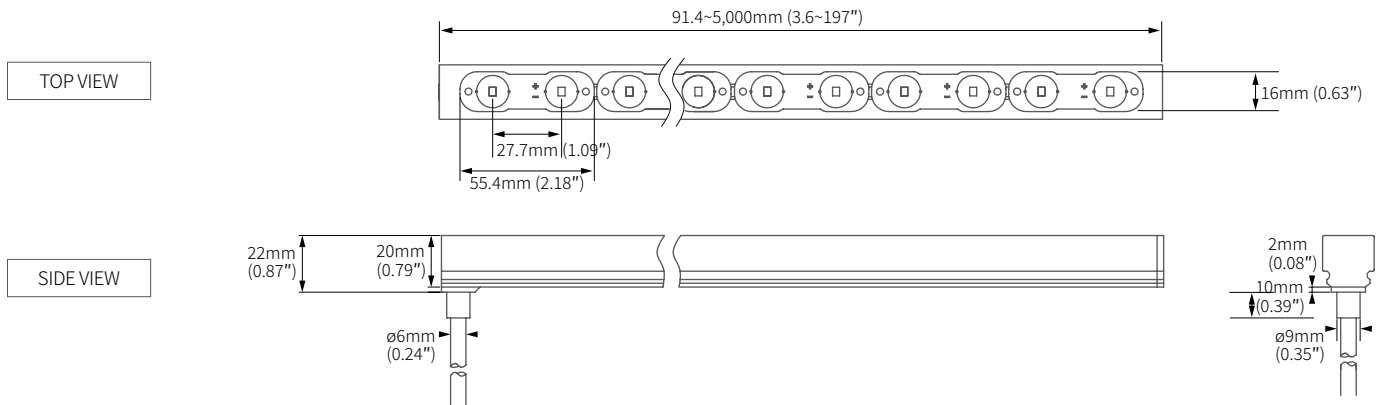
DIMENSIONS

Available in Standard Lengths of 1, 2, 3, 4, 5M reels

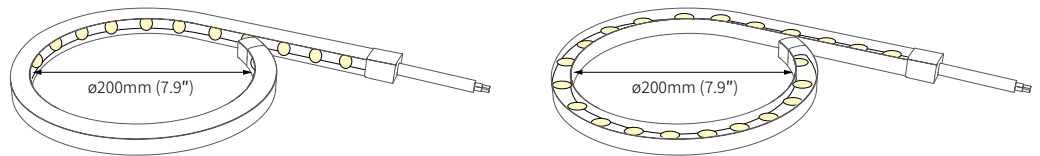
* Straight Feed



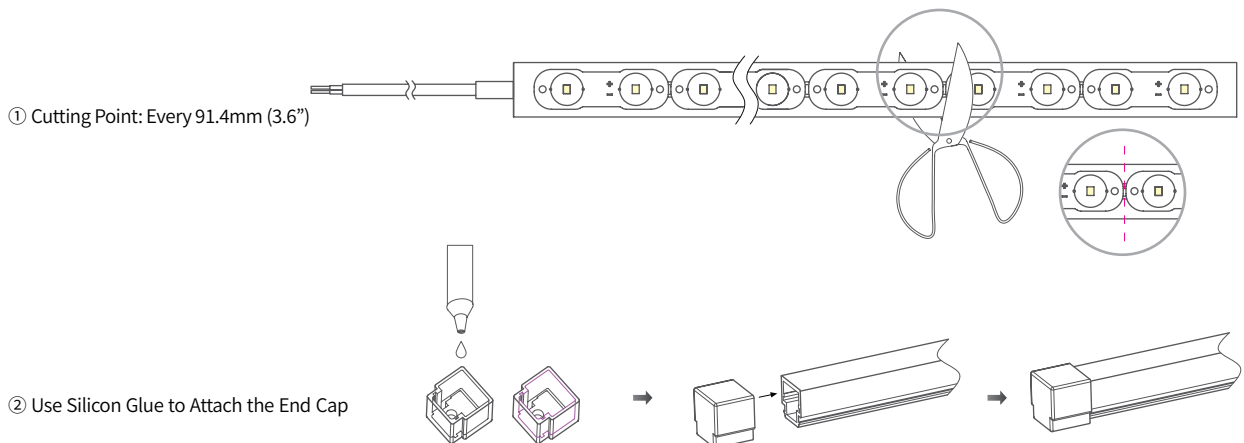
* Bottom Feed



BENDING DIAMETER

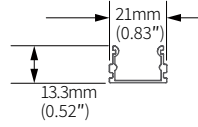


INSTALLATION

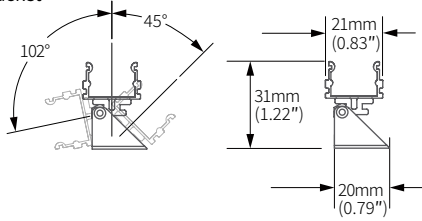


INSTALLATION

* Bracket



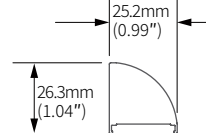
* Angle Bracket



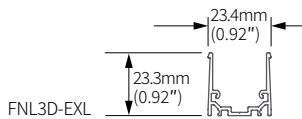
* Louver

FNL 3D Louver Kit(6pcs)/1000mm

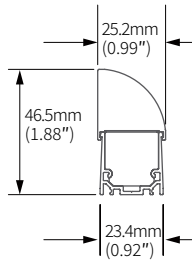
- : Louver A(x3)
- + Louver B(x3)



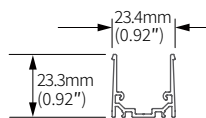
* Extrusion Line



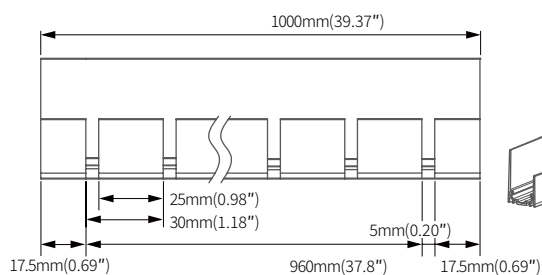
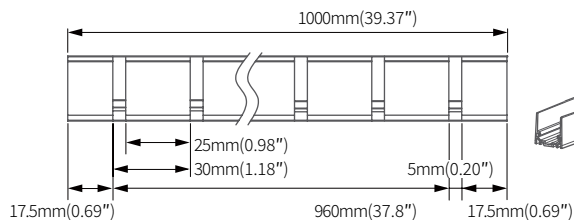
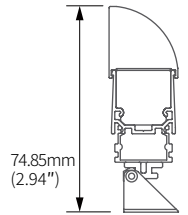
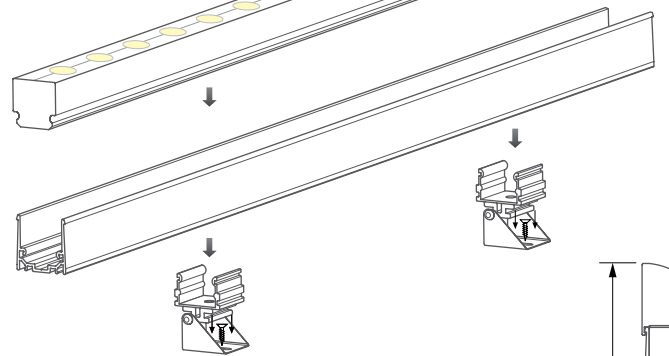
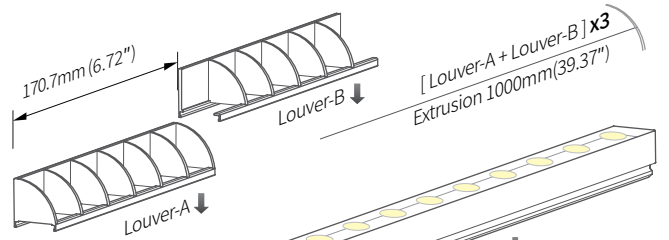
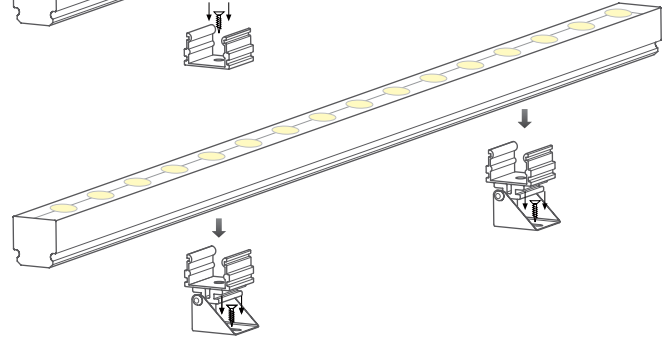
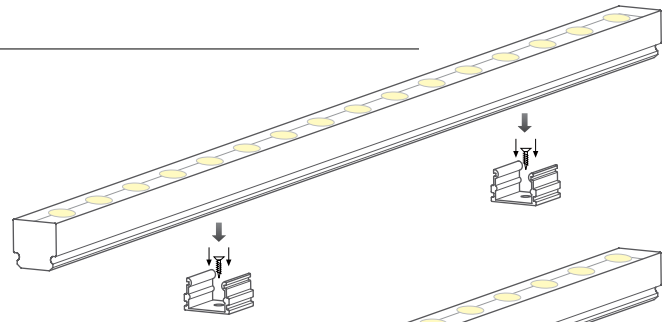
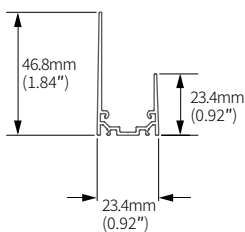
FNL3D-EXL+FNL 3D Louver



FNL 3D-EXL-FLEX

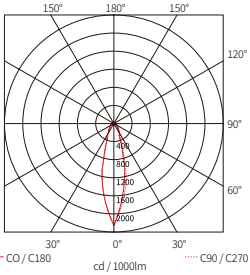


FNL 3D-EXL-FLEX-AG

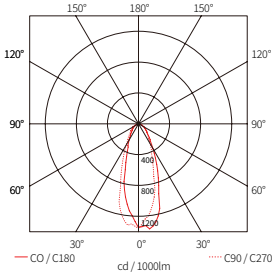


BEAM SPREADS

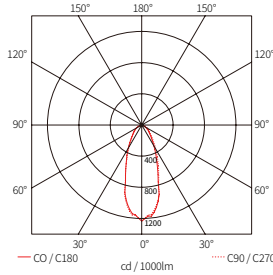
FNL 3D-40K-C90-20
80.37lm/W 1,505lm



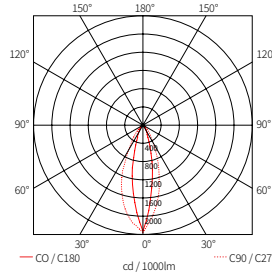
FNL 3D-40K-C90-35
83.8lm/W 1,521lm



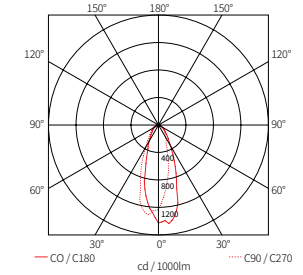
FNL 3D-40K-C90-45
85.32lm/W 1,541lm



FNL 3D-40K-C90-20X40
81.28lm/W 1,467lm



FNL 3D SC-24V-C90-35
75.3lm/W 1,505lm



COMPONENTS



Flexible Neon Lens 3D

- ___ FNL 3D-(color)K-24V-C90 (1M)
- ___ FNL 3D-(color)K-24V-C90 (2M)
- ___ FNL 3D-(color)K-24V-C90 (3M)
- ___ FNL 3D-(color)K-24V-C90 (4M)
- ___ FNL 3D-(color)K-24V-C90 (5M)



Flexible Neon Lens 3D (Bottom Feed)

- ___ FNL 3D-(color)K-24V-C90-BS (1M)
- ___ FNL 3D-(color)K-24V-C90-BS (2M)
- ___ FNL 3D-(color)K-24V-C90-BS (3M)
- ___ FNL 3D-(color)K-24V-C90-BS (4M)
- ___ FNL 3D-(color)K-24V-C90-BS (5M)



Flexible Neon Lens 3D Dual

- ___ FNL 3D-SC-24V-C90 (1M)
- ___ FNL 3D-SC-24V-C90 (2M)
- ___ FNL 3D-SC-24V-C90 (3M)
- ___ FNL 3D-SC-24V-C90 (4M)
- ___ FNL 3D-SC-24V-C90 (5M)



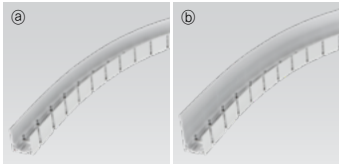
Flexible Neon Lens 3D Dual (Bottom Feed)

- ___ FNL 3D-SC-24V-C90-BS (1M)
- ___ FNL 3D-SC-24V-C90-BS (2M)
- ___ FNL 3D-SC-24V-C90-BS (3M)
- ___ FNL 3D-SC-24V-C90-BS (4M)
- ___ FNL 3D-SC-24V-C90-BS (5M)



FNL 3D Extrusion Line

- ___ FNL 3D-EXL (1M)

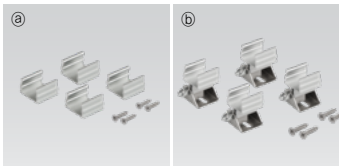


① FNL 3D Flexible Extrusion Line

- ___ FNL 3D-EXL-FLEX (1M)

② FNL 3D Flexible Extrusion Line Louver

- ___ FNL 3D-EXL-FLEX-AG (1M)



③ FNL 3D Mounting Bracket

- ___ FNL 3D-BRACKET1 (1set = 4pcs)

④ FNL 3D Angle Bracket

- ___ FNL 3D-BRACKET2 (1set = 4pcs)



FNL 3D Silicon End Cap

- ___ FNL 3D-End Cap



FNL 3D Louver Kit

- (6pcs-1000mm)
- ___ FNL 3D-Louver-BK
- ___ FNL 3D-Louver-WT
- A type: 3pcs / B type: 3pcs



Dimming Interface

- ___ FDC-L10
- Max. 100W (100W/CH, 1CH) 0-10V Signal



Dimming Interface

- ___ FDA-L2MO
- (0-10V/1-10V, DMX512)
- Max. 200W (100W/CH, 2CH)
- ___ FDA-L5M (DMX512)
- Max. 200W (50W/CH, 5CH)



Dimming Interface (Dail)

- ___ FDD-L1DA
- Max. 200W (100W/CH, 1CH)



Dimming Interface

- ___ FDD-L20
- (0-10V/1-10V)
- *required for
- Dim to Warm/Tunable



LED Drivers

- ___ FLC30-24V/XL (30W)
- ___ FLC75-24V/XL (75W)
- With distributor and power cord
- 1800mm (6')



Driver Junction Box

- ___ MHWB-FLE



Hard Wire Driver

- ___ XLD200-224V-FCL-DIM
- ___ XLD75-124V-FC
- (90V to 300V)

Hard Wire Driver

- ___ FLE90-24V-L10-DIM
- ___ FLE60-24V-L10-DIM
- Additional Power Supply/
- Driver Options Available.
- Please consult Factory.

A Larger selection of drivers are available including remote and hard wire drivers. Please consult factory.