

DATE	PROJECT	LOCATION	TYPE
------	---------	----------	------



PRODUCT FEATURES

- Magnetic Low Voltage Track System 24V
- Multiple Luminaire Options with Various Beam Angles for Maximum Design Flexibility
- Dual magnetic/mechanical system for secured luminaires
- Surface, Recessed and Pendant mount track available
- Double Hinge Available for Certain Models
- Extended Snoot/Filters Available for Certain Models
- H Style, Pendant Direct/Indirect Track Option
- Control with 0-10V, DALI, DMX
- 96W per Powerfeed
- Earthquake rated by Osaka Earthquake Test Lab

PRODUCT SPECIFICATIONS

Power Input	24V DC Constant Voltage
Color Rendering Index	CRI >90
Available CCTs	2700K, 3000K, 3500K, 4000K
Operating Temperature Ranges	32-113°F (0-45°C)
Control	0-10V, DALI, DMX
Finish	Black, White
Lamp life	50,000hr / 70%
Warranty	5 year Warranty

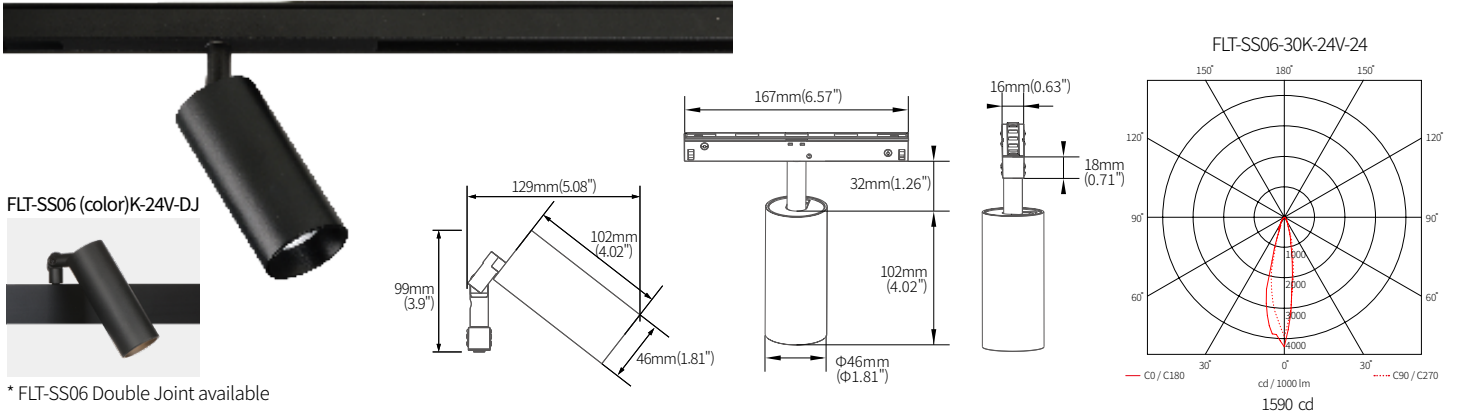
SPECIFICATION-FIXTURES



Performance data shown below for 3000K CCT. Refer to individual luminaire IES files for other CCT options.

Model Name	Power Input	Lamp Power	Luminous Flux	Luminous Efficacy	Color Rendering Index	Color Temperature	Beam Angle	Operating Temperature
FLT-SS06 (color)K-24V	DC 24V	6.3 W	438.1 lm	69.7 lm/W	CRI > 90	2,700K/3,000K 3,500K/4,000K	15°/ 24°/ 36°	32-113°F
FLT-SS06 (color)K-24V-DJ		6.3 W	438.1 lm	69.7 lm/W			15°/ 24°/ 36°	
FLT-SS09 (color)K-24V		8.9 W	689 lm	77.64 lm/W			15°/ 24°/ 36°	
FLT-SS09 (color)K-24V-DJ		8.9 W	689 lm	77.64 lm/W			15°/ 24°/ 36°	
FLT-SS15 (color)K-24V		14.75 W	1,068.8 lm	72.41 lm/W			15°/ 24°/ 36°	
FLT-SS15 (color)K-24V-DJ		14.75 W	1,068.8 lm	72.41 lm/W			15°/ 24°/ 36°	
FLT-SS20 (color)K-24V		20.8 W	1,510 lm	72.48 lm/W			15°/ 24°/ 36°	
FLT-SS20 (color)K-24V-DJ		20.8 W	1,510 lm	72.48 lm/W			15°/ 24°/ 36°	
FLT-SL06 (color)K-24V		6.3 W	435 lm	68.9 lm/W			15°/ 24°/ 36°	
FLT-SM02 (color)K-24V		1.7 W	98 lm	58.6 lm/W			15°/ 24°/ 36°	
FLT-SM12 (color)K-24V		12 W	1,025 lm	85.4 lm/W			15°/ 24°/ 36°	
FLT-LS10 (color)K-24V-L		4 W	329 lm	84.2 lm/W			20°/ 40°/ 55°	
FLT-LS30 (color)K-24V-L		11.5 W	1,049 lm	80 lm/W			20°/ 40°/ 55°	
FLT-LM30 (color)K-24V		10.3W	787.5 lm	76.5 lm/W			130°	
FLT-SP20 (color)K-24V		2.3 W	114 lm	50.54 lm/W			15°/ 24°/ 36°	
FLT-SP30 (color)K-24V		2.3 W	113.62 lm	50.44 lm/W			15°/ 24°/ 36°	

FLT-SS06



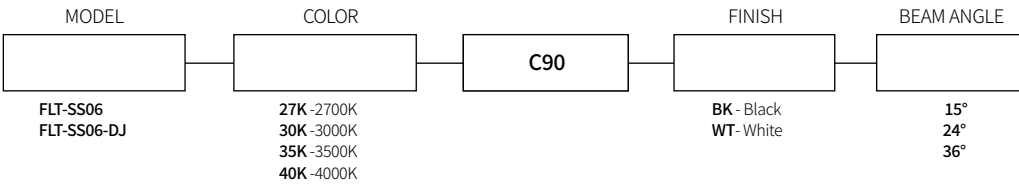
* FLT-SS06 Double Joint available

3000K performance data given. Refer to individual luminaire IES files for other CCTs.

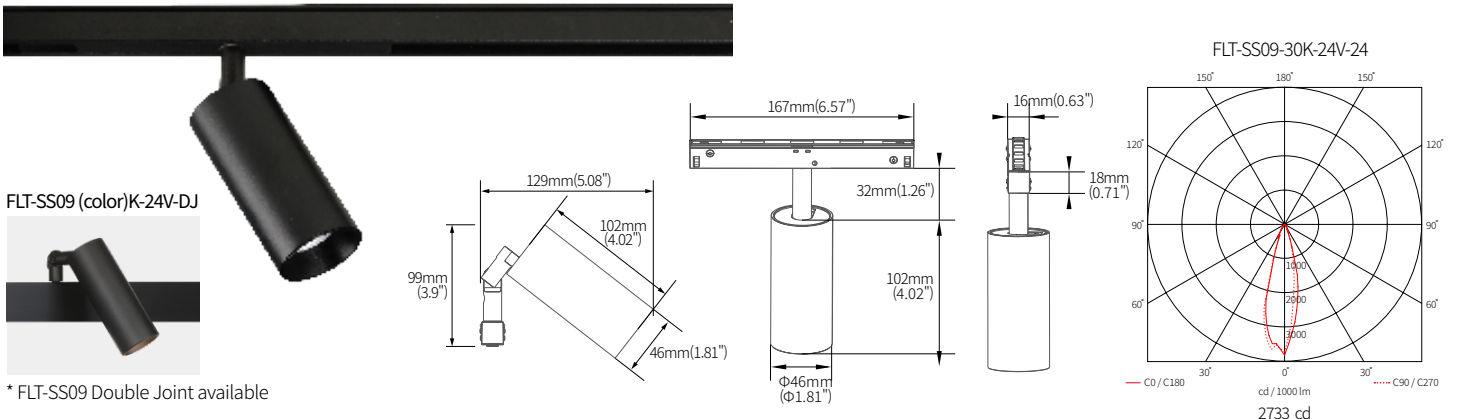
Model Name	Power Input	Lamp Power	Luminous Flux	Luminous Efficacy	Color Rendering Index	Color Temperature	Beam Angle	Weight of Luminaire	Operating Temperature
FLT-SS06 (color)K-24V	DC 24V	6.3 W	438.1 lm	69.7 lm/W	CRI > 90	2700K/3000K/3500K/4000K	15°/24°/36°	222g	32-113°F

SPECIFICATION GUIDE [Please refer to Page 8 for Track Compatibility.](#)

NOT TO BE USED FOR ORDERING. The Specification Guide is intended solely to ensure that all options are considered.



FLT-SS09



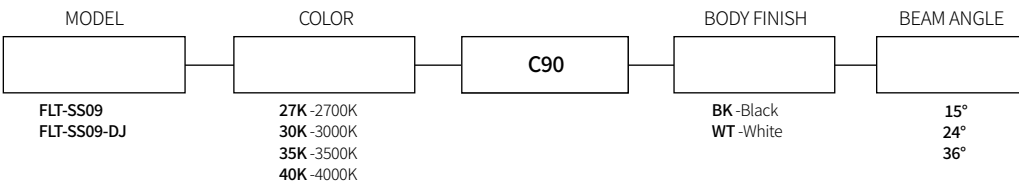
* FLT-SS09 Double Joint available

3000K performance data given. Refer to individual luminaire IES files for other CCTs.

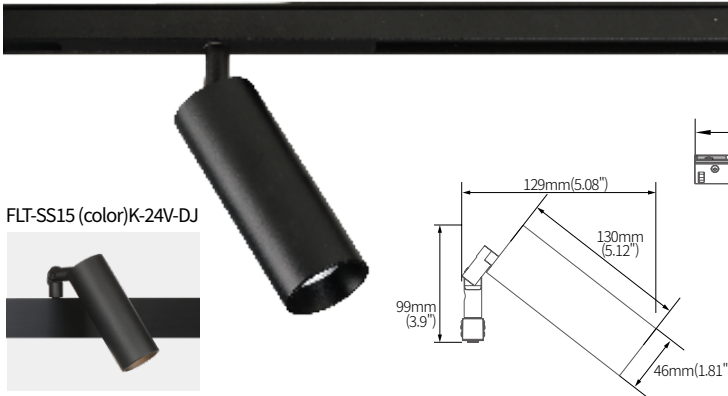
Model Name	Power Input	Lamp Power	Luminous Flux	Luminous Efficacy	Color Rendering Index	Color Temperature	Beam Angle	Weight of Luminaire	Operating Temperature
FLT-SS09 (color)K-24V	DC 24V	8.9 W	689 lm	77.64 lm/W	CRI > 90	2700K/3000K/3500K/4000K	15°/24°/36°	226g	32-113°F

SPECIFICATION GUIDE [Please refer to Page 8 for Track Compatibility.](#)

NOT TO BE USED FOR ORDERING. The Specification Guide is intended solely to ensure that all options are considered.

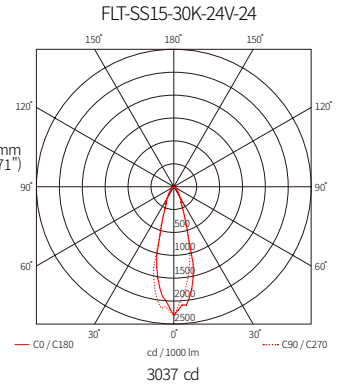
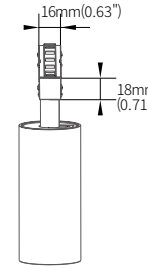
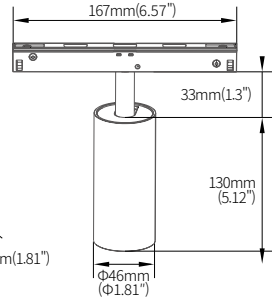
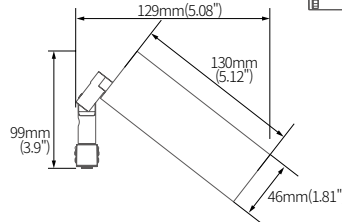


FLT-SS15



FLT-SS15 (color)K-24V-DJ

* FLT-SS15 Double Joint available

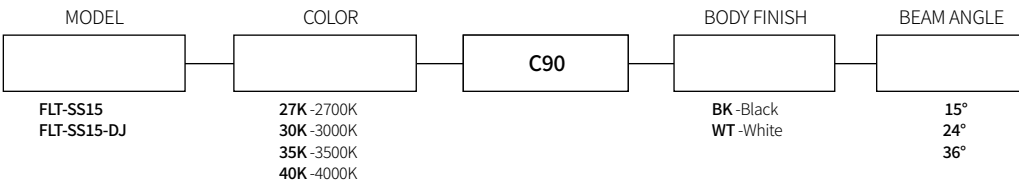


3000K performance data given. Refer to individual luminaire IES files for other CCTs.

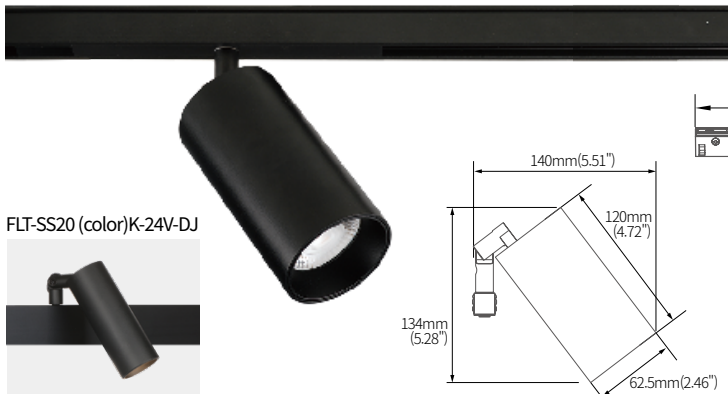
Model Name	Power Input	Lamp Power	Luminous Flux	Luminous Efficacy	Color Rendering Index	Color Temperature	Beam Angle	Weight of Luminaire	Operating Temperature
FLT-SS15 (color)K-24V	DC 24V	14.75 W	1068.8 lm	72.41 lm/W	CRI > 90	2700K/3000K/3500K/4000K	15°/24°/36°	294g	32-113°F

SPECIFICATION GUIDE Please refer to Page 8 for Track Compatibility.

NOT TO BE USED FOR ORDERING. The Specification Guide is intended solely to ensure that all options are considered.

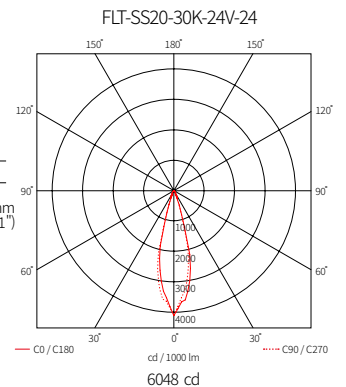
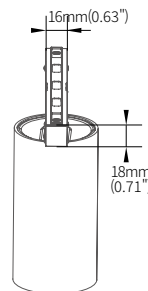
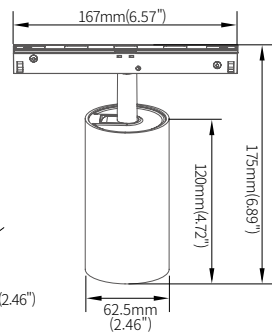
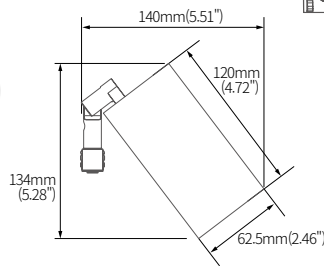


FLT-SS20



FLT-SS20 (color)K-24V-DJ

* FLT-SS20 Double Joint available

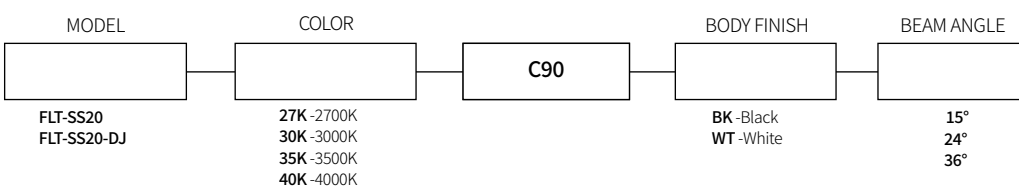


3000K performance data given. Refer to individual luminaire IES files for other CCTs.

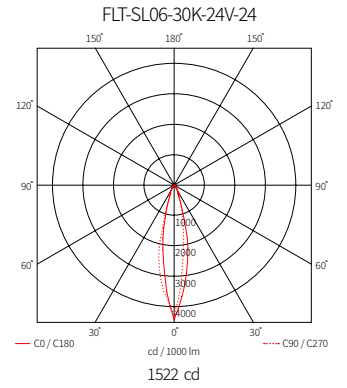
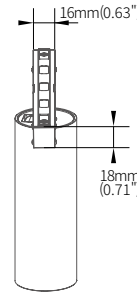
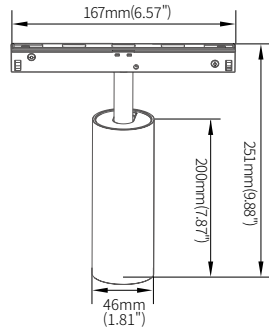
Model Name	Power Input	Lamp Power	Luminous Flux	Luminous Efficacy	Color Rendering Index	Color Temperature	Beam Angle	Weight of Luminaire	Operating Temperature
FLT-SS20 (color)K-24V	DC 24V	20.84 W	1510 lm	72.48 lm/W	CRI > 90	2700K/3000K/3500K/4000K	15°/24°/36°	358g	32-113°F

SPECIFICATION GUIDE Please refer to Page 8 for Track Compatibility.

NOT TO BE USED FOR ORDERING. The Specification Guide is intended solely to ensure that all options are considered.



FLT-SL06

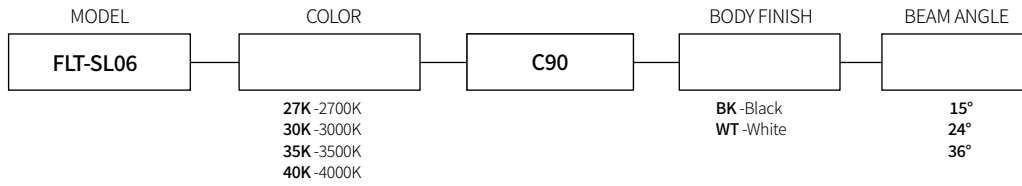


3000K performance data given. Refer to individual luminaire IES files for other CCTs.

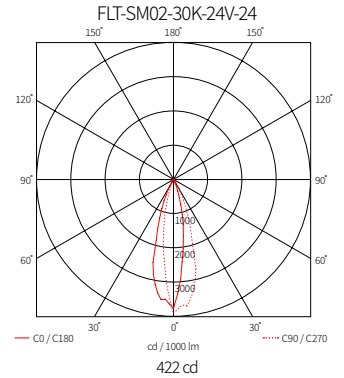
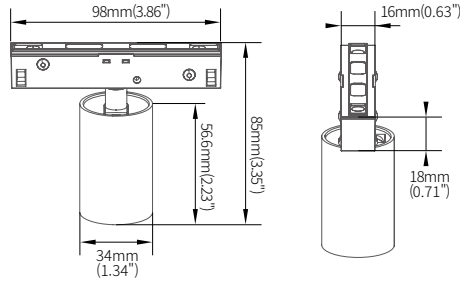
Model Name	Power Input	Lamp Power	Luminous Flux	Luminous Efficacy	Color Rendering Index	Color Temperature	Beam Angle	Weight of Luminaire	Operating Temperature
FLT-SL06 (color)K-24V	DC 24V	6.3 W	435 lm	68.9 lm/W	CRI > 90	2700K/3000K/3500K/4000K	15°/24°/36°	335g	32-113°F

SPECIFICATION GUIDE [Please refer to Page 8 for Track Compatibility.](#)

NOT TO BE USED FOR ORDERING. The Specification Guide is intended solely to ensure that all options are considered.



FLT-SM02

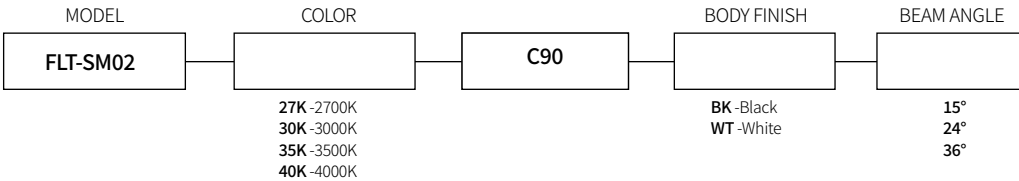


3000K performance data given. Refer to individual luminaire IES files for other CCTs.

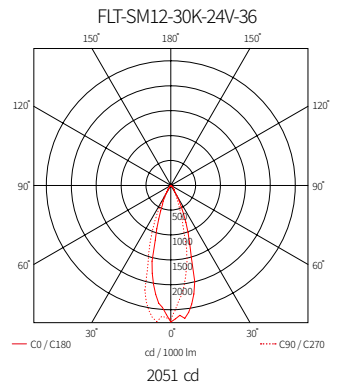
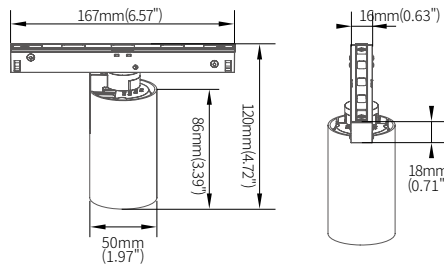
Model Name	Power Input	Lamp Power	Luminous Flux	Luminous Efficacy	Color Rendering Index	Color Temperature	Beam Angle	Weight of Luminaire	Operating Temperature
FLT-SM02 (color)K-24V	DC 24V	1.7 W	98 lm	58.6 lm/W	CRI > 90	2700K/3000K/3500K/4000K	15° / 24° / 36°	117g	32-113°F

SPECIFICATION GUIDE [Please refer to Page 8 for Track Compatibility.](#)

NOT TO BE USED FOR ORDERING. The Specification Guide is intended solely to ensure that all options are considered.



FLT-SM12

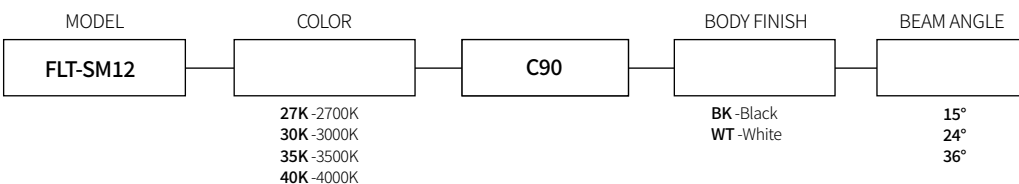


3000K performance data given. Refer to individual luminaire IES files for other CCTs.

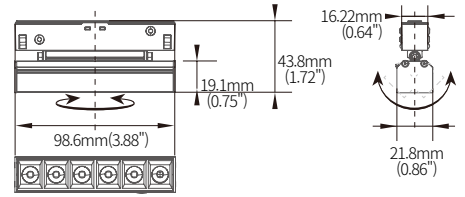
Model Name	Power Input	Lamp Power	Luminous Flux	Luminous Efficacy	Color Rendering Index	Color Temperature	Beam Angle	Weight of Luminaire	Operating Temperature
FLT-SM12 (color)K-24V	DC 24V	12 W	1025 lm	85.4 lm/W	CRI > 90	2700K/3000K/3500K/4000K	15° / 24° / 36°	240g	32-113°F

SPECIFICATION GUIDE [Please refer to Page 8 for Track Compatibility.](#)

NOT TO BE USED FOR ORDERING. The Specification Guide is intended solely to ensure that all options are considered.



FLT-LS10-L

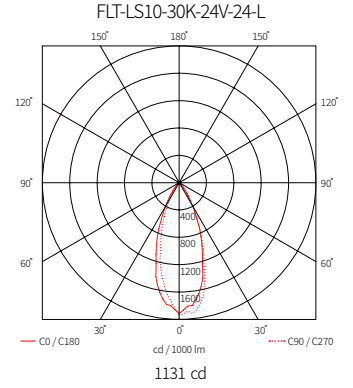
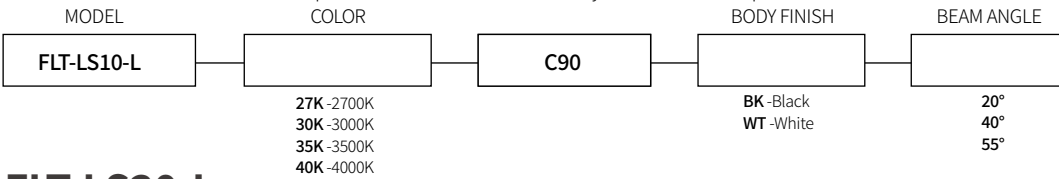


3000K performance data given. Refer to individual luminaire IES files for other CCTs.

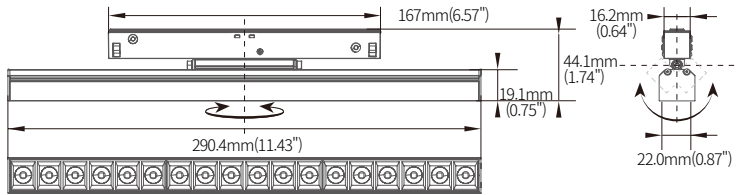
Model Name	Power Input	Lamp Power	Luminous Flux	Luminous Efficacy	Color Rendering Index	Color Temperature	Beam Angle	Weight of Luminaire	Operating Temperature
FLT-LS10 (color)K-24V-L	DC 24V	4 W	329 lm	84.2 lm/W	CRI90 SDCM<3	2700K 3000K 3500K 4000K	20° 40° 55°	108g	32-113°F

SPECIFICATION GUIDE [Please refer to Page 8 for Track Compatibility.](#)

NOT TO BE USED FOR ORDERING. The Specification Guide is intended solely to ensure that all options are considered.



FLT-LS30-L

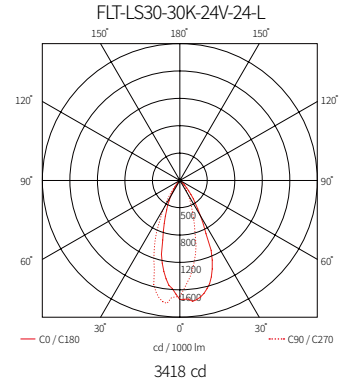
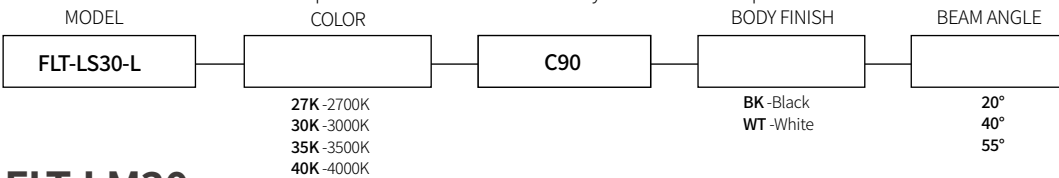


3000K performance data given. Refer to individual luminaire IES files for other CCTs.

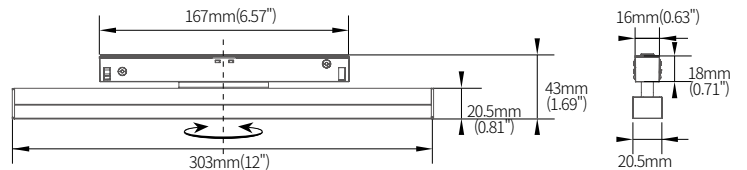
Model Name	Power Input	Lamp Power	Luminous Flux	Luminous Efficacy	Color Rendering Index	Color Temperature	Beam Angle	Weight of Luminaire	Operating Temperature
FLT-LS30 (color)K-24V-L	DC 24V	12W	1049lm	80 lm/W	CRI90 SDCM<3	2700K 3000K 3500K 4000K	20° 40° 55°	181g	32-113°F

SPECIFICATION GUIDE [Please refer to Page 8 for Track Compatibility.](#)

NOT TO BE USED FOR ORDERING. The Specification Guide is intended solely to ensure that all options are considered.



FLT-LM30

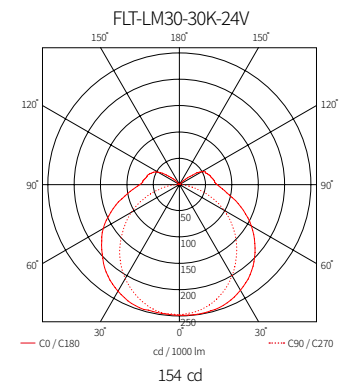
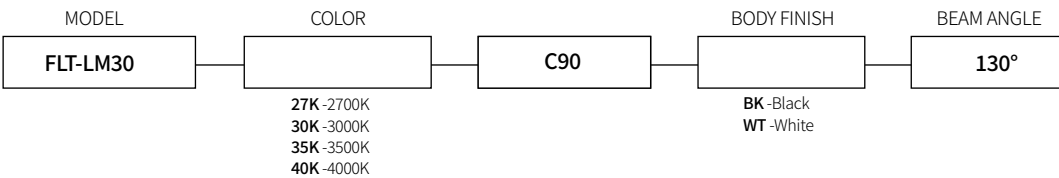


3000K performance data given. Refer to individual luminaire IES files for other CCTs.

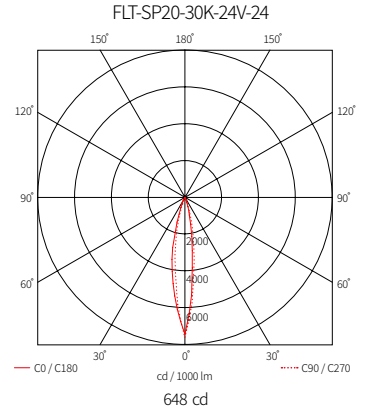
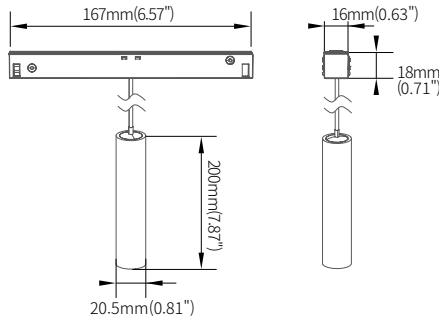
Model Name	Power Input	Lamp Power	Luminous Flux	Luminous Efficacy	Color Rendering Index	Color Temperature	Beam Angle	Weight of Luminaire	Operating Temperature
FLT-LM30 (color)K-24V	DC 24V	10.3W	787.5lm	76.5 lm/W	CRI90 SDCM<3	2700K 3000K 3500K 4000K	130°	158g	32-113°F

SPECIFICATION GUIDE [Please refer to Page 8 for Track Compatibility.](#)

NOT TO BE USED FOR ORDERING. The Specification Guide is intended solely to ensure that all options are considered.



FLT-SP20

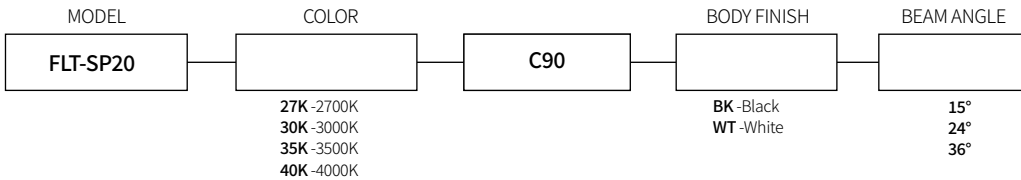


3000K performance data given. Refer to individual luminaire IES files for other CCTs.

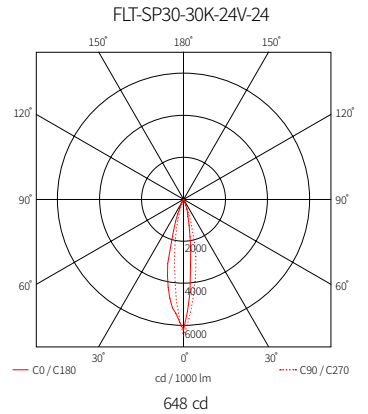
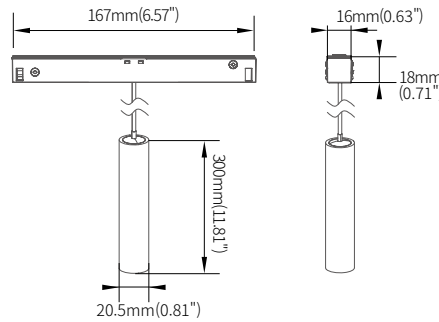
Model Name	Power Input	Lamp Power	Luminous Flux	Luminous Efficacy	Color Rendering Index	Color Temperature	Beam Angle	Weight of Luminaire	Operating Temperature
FLT-SP20 (color)K-24V	DC 24V	2.8 W	80.6 lm	28.7 lm/W	CRI > 90	2700K/3000K/3500K/4000K	15°/24°/36°	213g	32-113°F

SPECIFICATION GUIDE Please refer to Page 8 for Track Compatibility.

NOT TO BE USED FOR ORDERING. The Specification Guide is intended solely to ensure that all options are considered.



FLT-SP30

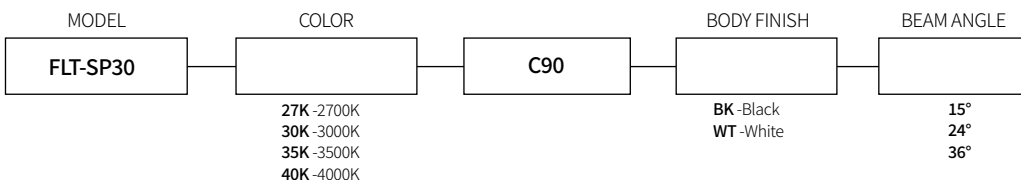


3000K performance data given. Refer to individual luminaire IES files for other CCTs.

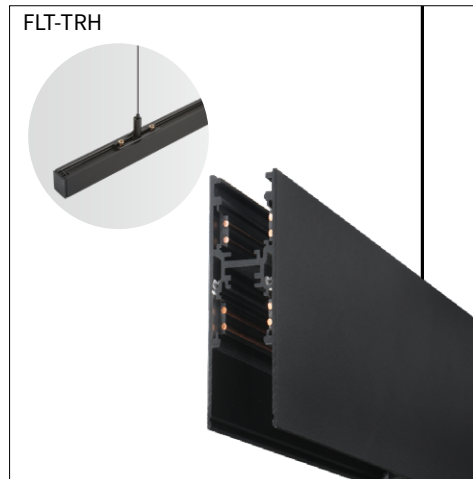
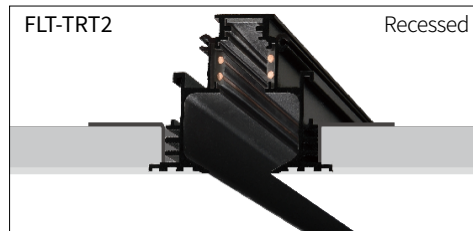
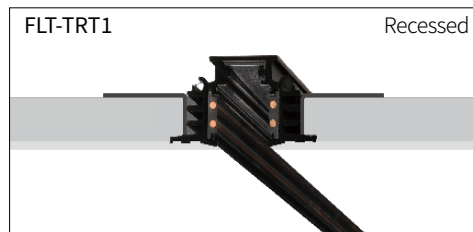
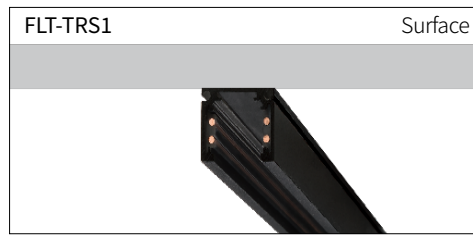
Model Name	Power Input	Lamp Power	Luminous Flux	Luminous Efficacy	Color Rendering Index	Color Temperature	Beam Angle	Weight of Luminaire	Operating Temperature
FLT-SP30 (color)K-24V	DC 24V	2.8 W	80.6 lm	28.7 lm/W	CRI > 90	2700K/3000K/3500K/4000K	15°/24°/36°	294g	32-113°F

SPECIFICATION GUIDE Please refer to Page 8 for Track Compatibility.

NOT TO BE USED FOR ORDERING. The Specification Guide is intended solely to ensure that all options are considered.

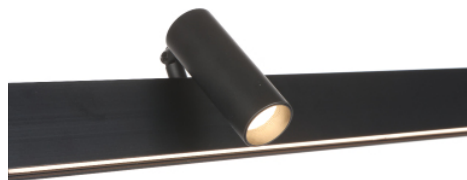


FLT TRACK



Compatible Luminaires					
Luminaire	FLT-TRS1	FLT-TRS2	FLT-TRT1	FLT-TRT2	FLT-TRH
FLT-SS06	<input type="checkbox"/>	<input type="checkbox"/>	<input type="checkbox"/>	<input type="checkbox"/>	<input type="checkbox"/>
FLT-SS06-Double joint	<input type="checkbox"/>	<input type="checkbox"/>	<input type="checkbox"/>	<input type="checkbox"/>	<input type="checkbox"/>
FLT-SS09	<input type="checkbox"/>	<input type="checkbox"/>	<input type="checkbox"/>	<input type="checkbox"/>	<input type="checkbox"/>
FLT-SS09-Double joint	<input type="checkbox"/>	<input type="checkbox"/>	<input type="checkbox"/>	<input type="checkbox"/>	<input type="checkbox"/>
FLT-SS15	<input type="checkbox"/>	<input type="checkbox"/>	<input type="checkbox"/>	<input type="checkbox"/>	<input type="checkbox"/>
FLT-SS15-Double joint	<input type="checkbox"/>	<input type="checkbox"/>	<input type="checkbox"/>	<input type="checkbox"/>	<input type="checkbox"/>
FLT-SS20	<input type="checkbox"/>	<input type="checkbox"/>	<input type="checkbox"/>	<input type="checkbox"/>	<input type="checkbox"/>
FLT-SS20-Double joint	<input type="checkbox"/>	<input type="checkbox"/>	<input type="checkbox"/>	<input type="checkbox"/>	<input type="checkbox"/>
FLT-SL06	<input type="checkbox"/>	<input type="checkbox"/>	<input type="checkbox"/>	<input type="checkbox"/>	<input type="checkbox"/>
FLT-SM02	<input type="checkbox"/>	<input type="checkbox"/>	<input type="checkbox"/>	<input type="checkbox"/>	<input type="checkbox"/>
FLT-SM12	<input type="checkbox"/>	<input type="checkbox"/>	<input type="checkbox"/>	<input type="checkbox"/>	<input type="checkbox"/>
FLT-LS10-L *	<input type="checkbox"/>	<input type="checkbox"/>	<input type="checkbox"/>	<input type="checkbox"/>	<input type="checkbox"/>
FLT-LS30-L *	<input type="checkbox"/>	<input type="checkbox"/>	<input type="checkbox"/>	<input type="checkbox"/>	<input type="checkbox"/>
FLT-LM30 *	<input type="checkbox"/>	<input type="checkbox"/>	<input type="checkbox"/>	<input type="checkbox"/>	<input type="checkbox"/>
FLT-SP20	<input type="checkbox"/>	<input type="checkbox"/>	<input type="checkbox"/>	<input type="checkbox"/>	<input type="checkbox"/>
FLT-SP30	<input type="checkbox"/>	<input type="checkbox"/>	<input type="checkbox"/>	<input type="checkbox"/>	<input type="checkbox"/>

*Installation into the FLT-TRS2 track or the FLT-TRT2 track disables the ability to tilt and rotate the luminaire.



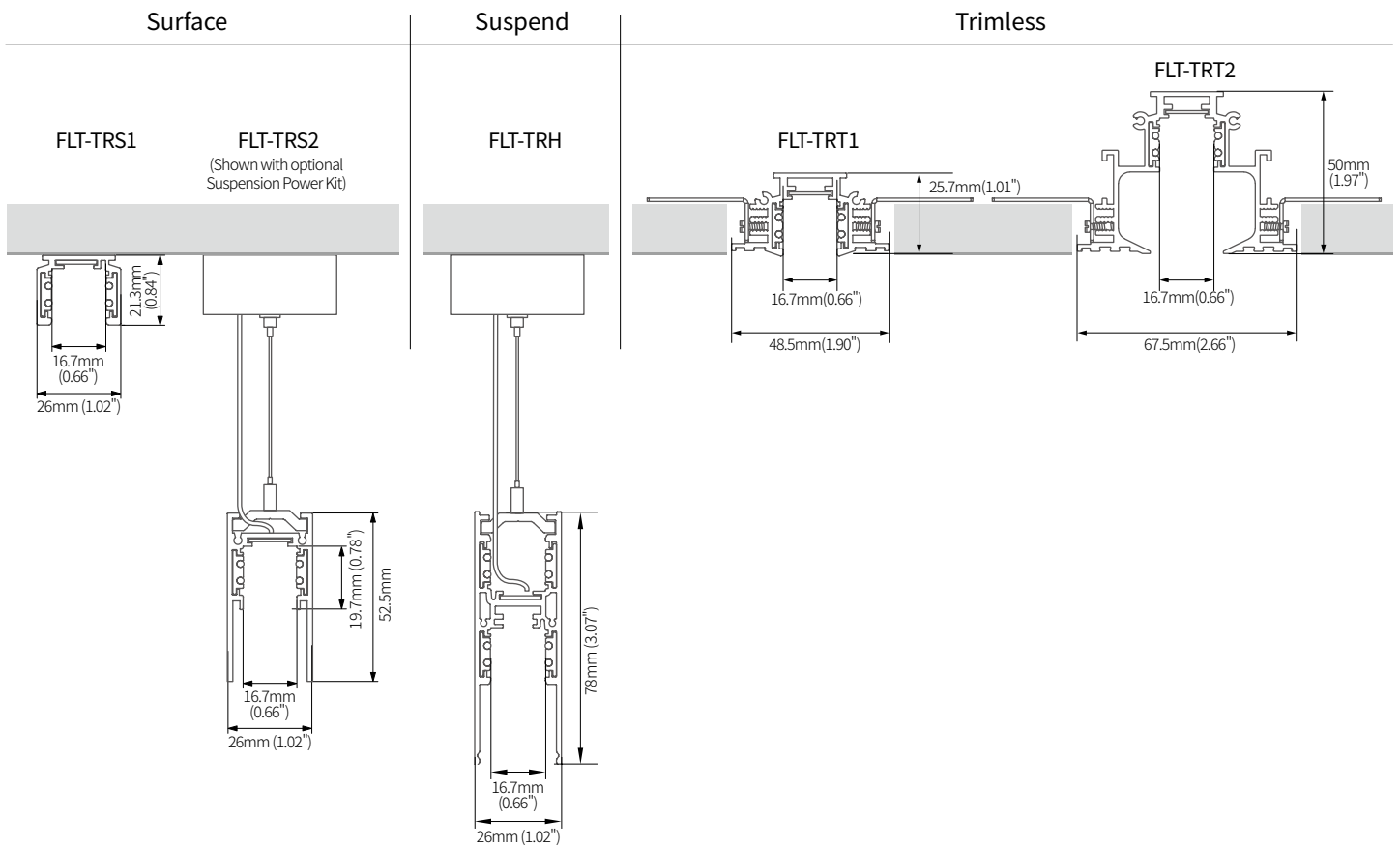
-Double joint

SPECIFICATION GUIDE

NOT TO BE USED FOR ORDERING. The Specification Guide is intended solely to ensure that all options are considered.

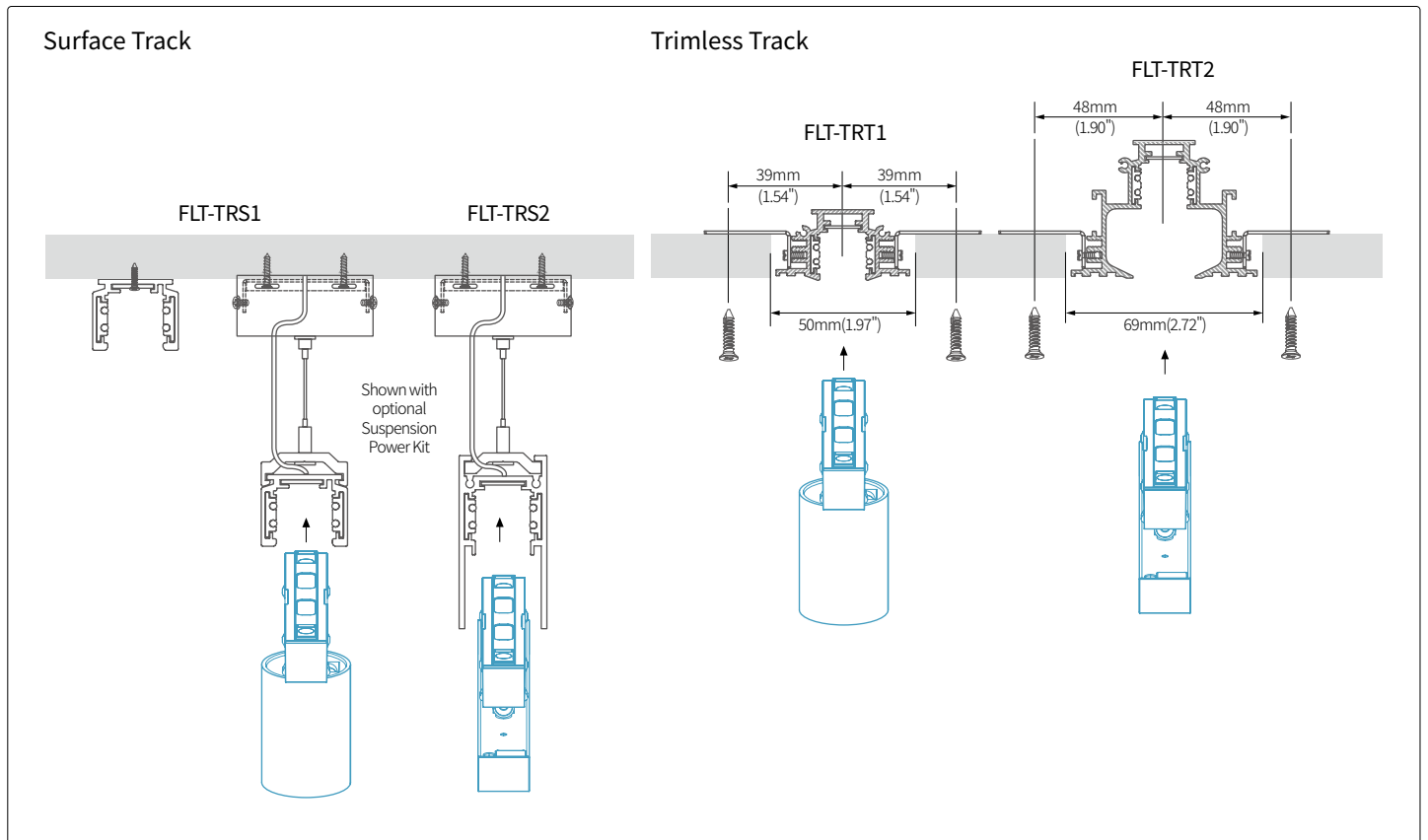
MODEL	FINISH	LENGTH	DRIVER	CONTROLS	VOLTAGE
FLT-TRS1 FLT-TRS2 FLT-TRT1 FLT-TRT2 FLT-TRH	BK -Black WT -White	1200mm(3.94') 2400mm(7.87')	CP - Cable/Plug HW - Hard Wire TD - 3rd Party Drivers Consult Factory	NDM - Non-Dim 0-10V - DALI - DALI Interface DMX - DMX Interface ZIGBEE	120V 230V 277V

DIMENSION

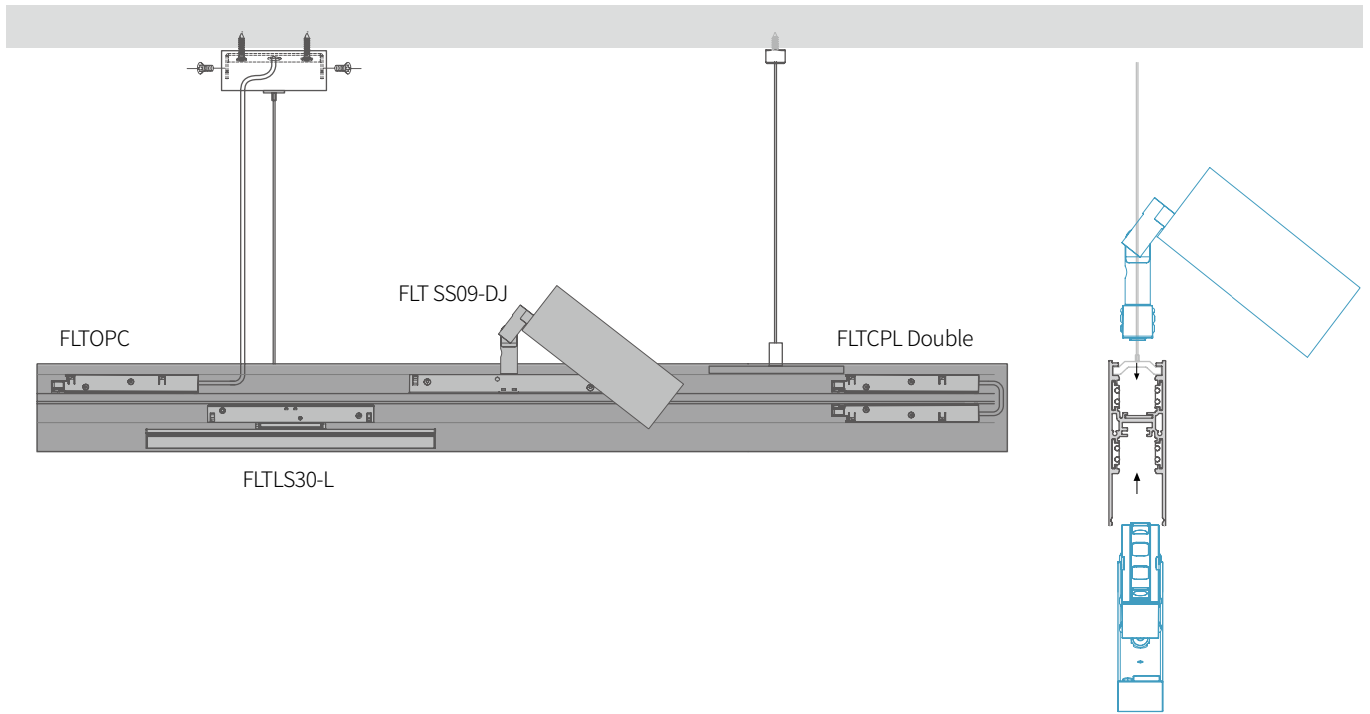


INSTALLATION *

*Refer to the Compatible Luminaire chart on p.8

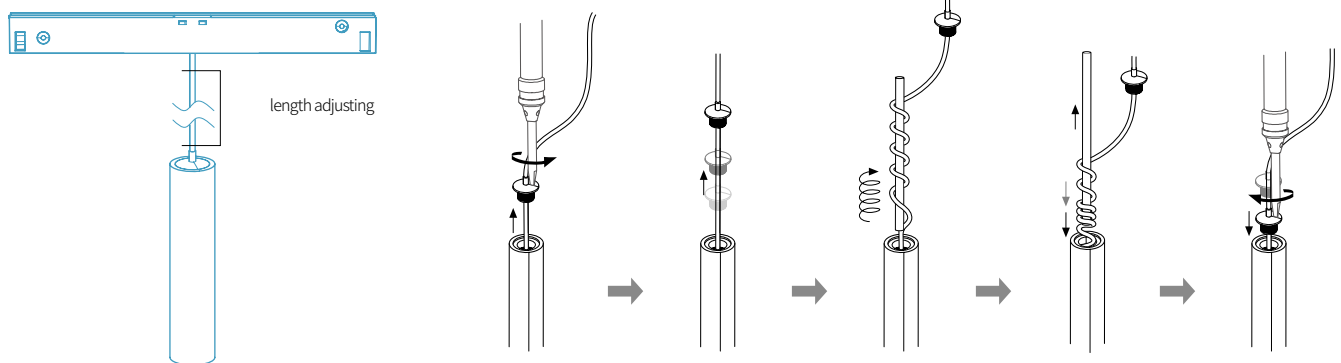


Suspended Track



Extrusion length	Cutting track
1200mm, 2400mm	<p>⚠ Use special pliers to trim the ends of all 4 copper conductors, then remove and discard the trimmings.</p>

FLT-SP20, SP30 length adjusting

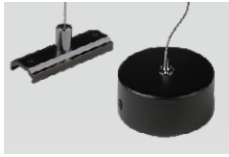


COMPONENTS

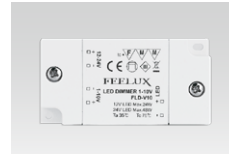
BK: Black / WT: white



Power Connector
_FLTOPC-BK
_FLTOPC-WT



Suspension Power Kit for TRS1
_FLT-SK-POWER1-BK
_FLT-SK-POWER1-WT



Dimming Interface (0-10V)
__FDC-L10 *
Max. 100W (100W/CH, 1CH)



Direct Connector
_FLTCL-BK
_FLTCL-WT



Suspension Bracket for TRS1
_FLT-SK-BRACKET1-BK
_FLT-SK-BRACKET1-WT



Control Interface (0-10V)
__FDD-L20
Max. 200W (100W/CH, 2CH)



Direct Connector (Non-conductive)
_FLTCL-NC-BK
_FLTCL-NC-WT



Suspension Power Kit for TRS2
_FLT-SK-POWER2-BK
_FLT-SK-POWER2-WT



Control Interface (DALI)
__FDD-L1DA
Max. 200W (100W/CH, 1CH)



90Connector
_FLTCL-90-BK
_FLTCL-90-WT



Suspension Bracket for TRS2
_FLT-SK-BRACKET2-BK
_FLT-SK-BRACKET2-WT



Control Interface (0-10V, DMX512)
__FDA-L2MO
Max. 200W (100W/CH, 2CH)
__FDA-L5M
Max. 200W (50W/CH, 5CH)



90Connector (Non-conductive)
_FLTCL-90-NC-BK
_FLTCL-90-NC-WT



Joint Bracket for TRS1
_FLT-TRS1-JOINT-BK



Control Interface (Zigbee)
__FDD-L2Z



Flexible Connector
_FLTPTC-FLEX-BK
_FLTPTC-FLEX-WT



Joint Bracket for TRS2
_FLT-TRS2-JOINT-BK
_FLT-TRS2-JOINT-WT



Wireless Control (Zigbee Switch)
__FSM-Z1



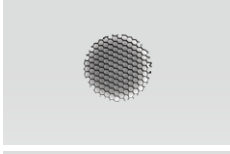
Color Filter
_FLT-Filter-20/R.G.B.Y
(For SS20)
_FLT-Filter-09/R.G.B.Y
(For SS06.09,15)



Joint Bracket for TRT1,2
_FLT-TRT-JOINT-BK



12 Port Hub
__D12P-HUB
Included with Cord and Plug drivers. Order separately for Hard Wire or 3rd Party Drivers



Honeycomb
_FLT-Honeycomb-20
(For SS20)
_FLT-Honeycomb-09
(For SS06.09,15)



Holder for TRT1 Track
_FLT-TRT1-HOLDER



LED Drivers
__FLC30-24V/XL (30W) *
__FLC75-24V/XL (75W) *
With distributor and power cord 1800mm (6')



Anti-Glare Hood
_FLT-Hood-20
(For SS20)
_FLT-Hood-09
(For SS06.09,15)



Holder for TRT2 Track
_FLT-TRT2-HOLDER



Driver Junction Box
__MHWB-FLE



90 degree connector for TRT1
__FLT-TRT1-90



TRT WING for Trimless Track
_FLT-TRT-WING



Hard Wire Driver
__XLD200-224V-FCL-DIM (0-10V)
__XLD75-124V-FC * (90V to 300V)



90 degree connector for TRT2
__FLT-TRT2-90



Fixture Remover
_FLT-REMOVER



Hard Wire Driver
__FLE60-24V-L10-DIM (Linear)
__FLE90-24V-L10-DIM (Linear)



Color Filter



Honeycomb

A larger selection of drivers are available including remote and hard wire drivers. Please consult factory.

* FLC30, FLC75 and XLD75 require the FDC-L10 for 0-10V dimming