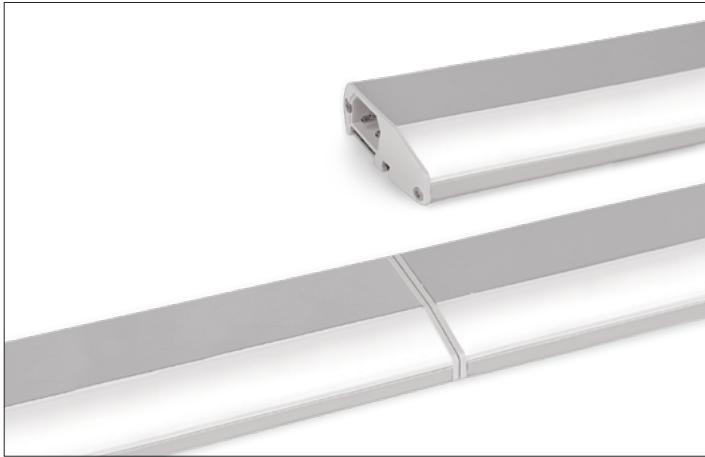


DATE PROJECT LOCATION TYPE



PRODUCT FEATURES

- Seamless Illumination
- Ultra Low, Sleek Profile
- Line Voltage Integral Driver
- Even Illumination on Surfaces
- Dim with Accessories: 0-10V
- Easy Plug-and-Play Installation
- Integral On/Off Control Available
- Occupancy Sensor Module Available
- Quick Ship*
- Available lengths: 20.70", 32.91", 45.07"
- Can be connected up to 80'

PRODUCT SPECIFICATIONS

- Voltage: AC 120-240V (277V not available)
- Operating Temperature: 32-113°F (0-45°C)
- Lamp Life: 50,000 hrs L70
- Available Color: 2700K, 3000K, 3500K, 4000K
- CRI/Ra > 90+
- Energy Efficiency: 75 lm/W - 5W/ft - 375lm/ft
- Degree of Protection IP20
- Beam Angle: Asymmetric 120°
- Finish: Natural Aluminum
- 5 year Warranty
- Luminaire is suitable for installation within a closet space.

SPECIFICATION



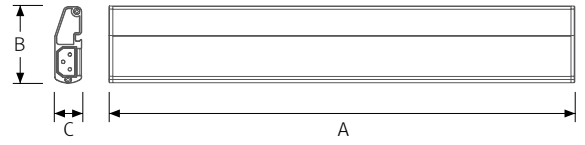
Model Name	Voltage Input	Lamp Power	Luminous Flux	Luminous Efficacy	Color Rendering Index	CCT	Operating Temperature
TUN7-40K-120V-SF	AC100~240V	7.4 W	444 lm	64 lm/w	Ra > 90	2700K/3000K/3500K/4000K/5700K	0 ~ 45°C
TUN11-40K-120V-SF	AC100~240V	11.5 W	763 lm	66 lm/w	Ra > 90	2700K/3000K/3500K/4000K/5700K	0 ~ 45°C
TUN15-40K-120V-SF	AC100~240V	15.5 W	1,040 lm	67 lm/w	Ra > 90	2700K/3000K/3500K/4000K/5700K	0 ~ 45°C

SPECIFICATION GUIDE : NOT TO BE USED FOR ORDERING. The Specification Guide is intended solely to ensure that all options are considered.

MODEL	COLOR	LENS	MOUNTING	CONFIGURATION	RUN LENGTH	POWER/DIM	CONTROLS	VOLTAGE
TUN	27K -2700K 30K -3000K 35K -3500K 40K -4000K 57K -5700K	SF- Spot Free	STD - Flat Brackets Included BK1 - Sliding Brackets	S - Straight V - Varies*	RUN LENGTH IN FEET 80ft max on single feed. 60ft for dimming. Fill out for every run section *DRAWINGS AND RUN LENGTH MAY BE REQUIRED	CP - Cable/Plug HW - Hard Wire ZT - 0-10V Interface	NDM - Non-Dim RSW - Rocker Switch OCC - Occupancy Sensor	120-240V

DIMENSION

Model Name	Voltage Input	Lamp Power	A mm(inches)	B mm(inches)	C mm(inches)
TUN7-(color)K-120V-SF	AC100~240V	7.4 W	526mm(20.70")	52mm(2.04")	18mm(0.70")
TUN11-(color)K-120V-SF	AC100~240V	11.5 W	836mm(32.91")	52mm(2.04")	18mm(0.70")
TUN15-(color)K-120V-SF	AC100~240V	15.5 W	1145mm(45.07")	52mm(2.04")	18mm(0.70")



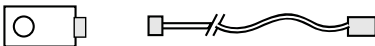
SPECIFICATION DIAGRAM

Option 1 - Cord & Plug



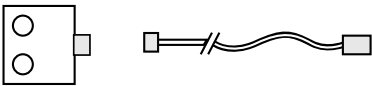
Power Cord with Plug
TUNPC120/XL

Option 2 - Hardware



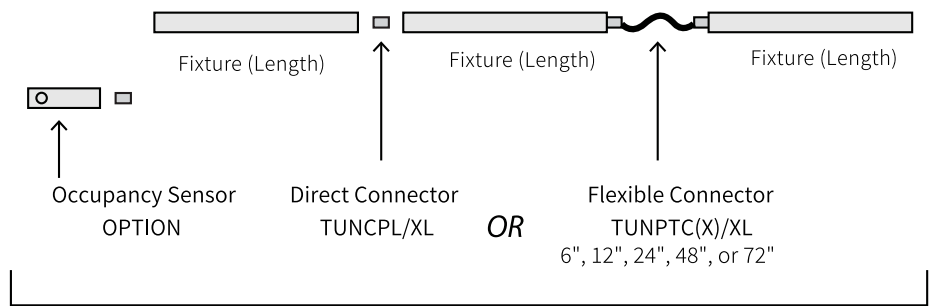
Hardware Box
MHWB-ESL + Interface Cable

Option 3 - Dimming 0-10V



Dimming Module
FDB-P10 + Interface Cable

Fixture Connector Options



MAX Power Load on 1 Power Feed (non-dimming)

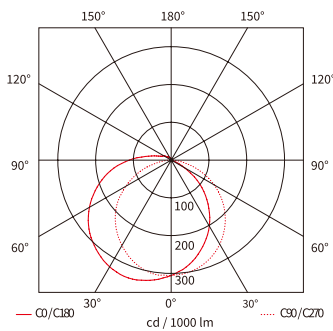
LED: **400W**

MAX Number of Fixtures Dimming

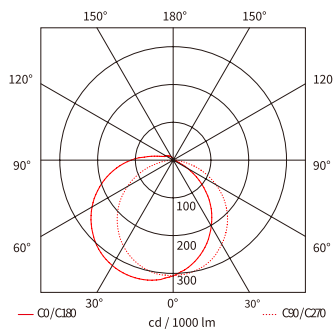
LED: **Need one booster every 15 fixtures**

BEAM SPREADS

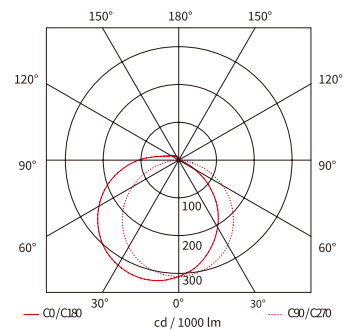
200228 TUN7 40K-UNV-C90
J1907 VER1.2 28LM9-1



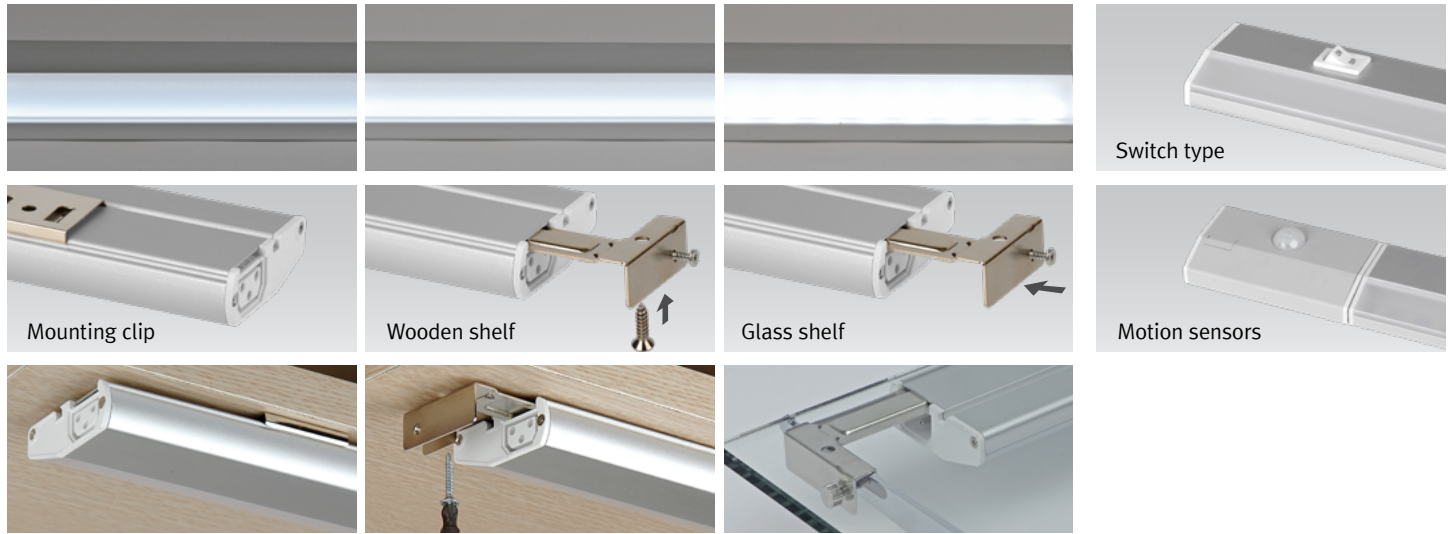
200302 TUN11 40K-UNV-C90
J1811 VER1.2 28LM9-1



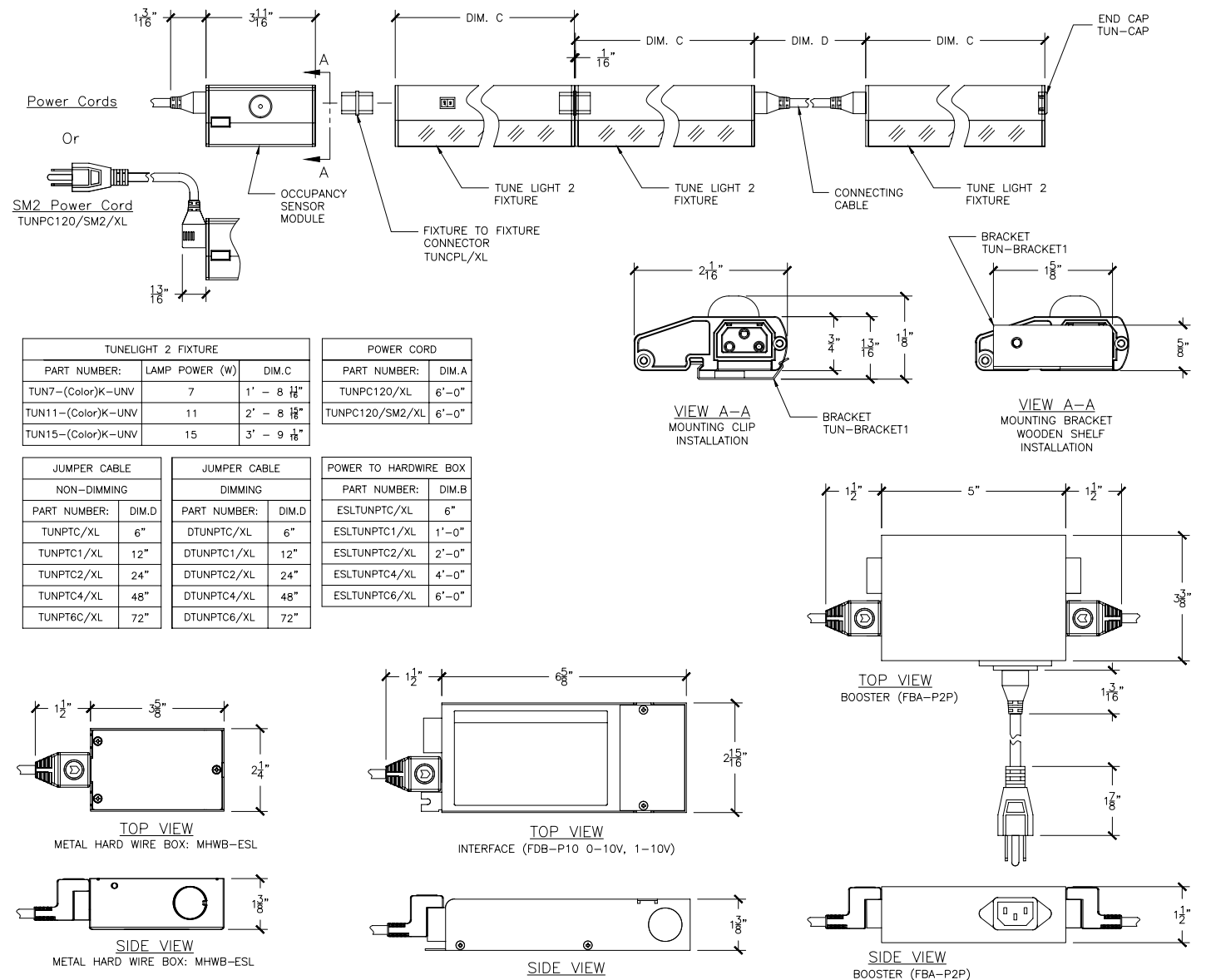
200304 TUN15 40K-UNV-C90
J1808 VER1.1 28LM9-1



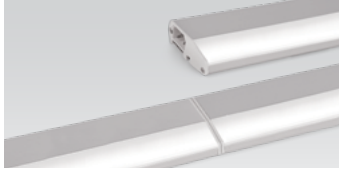
VARIOUS OPTIONS



FIXTURE AND ACCESSORIES DIMENSIONS

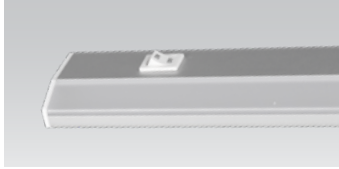


COMPONENTS



TUNELight 2 Spot Free

- __TUN7-40K-120V-SF
- __TUN11-40K-120V-SF
- __TUN15-40K-120V-SF



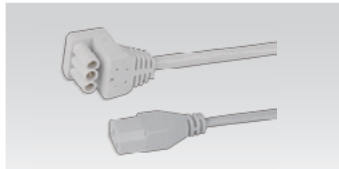
TUNELight 2 Spot Free Rocker Switch*

- __TUN7-40K-120V-S-SF*
- __TUN11-40K-120V-S-SF*
- __TUN15-40K-120V-S-SF*



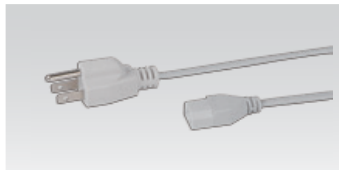
Connecting cable

- __TUNPTC/XL(6')
- __TUNPTC1/XL(1')
- __TUNPTC2/XL(2')
- __TUNPTC4/XL(4')
- __TUNPTC6/XL(6')



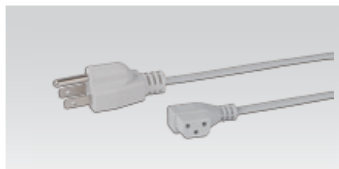
Interface cable

- __ESLTUNPTC/XL(6')
- __ESLTUNPTC1/XL(1')
- __ESLTUNPTC2/XL(2')
- __ESLTUNPTC4/XL(4')
- __ESLTUNPTC6/XL(6')



Power Cord (6')

- __TUNPC120/XL



Power Cord (6')

- __TUNPC120/SM2/XL



Sliding Bracket

- __TUNCPL/XL
- Included with fixture



End Cap

- __TUN-END-CAP
- Included with fixture



Occupancy Sensor**

- __TUN-OSM



Hard Wire Box

- __MHWB-ESL



Dimming Interface

- __FDB-P10
- 0-10V/1-10V to PWM



2 Channel Booster / 10Pcs ea.

- __FBA-P2P



Mounting Bracket

- __TUN-BRACKET
- Included with fixture



Sliding Bracket

- __TUN-BRACKET1
- For Use with Glass Shelves

*Spot Free Lens Switch controls full run.
Switch available on TUN7, TUN11, and TUN15 models.
**Dimming options not available if using TUN-OSM